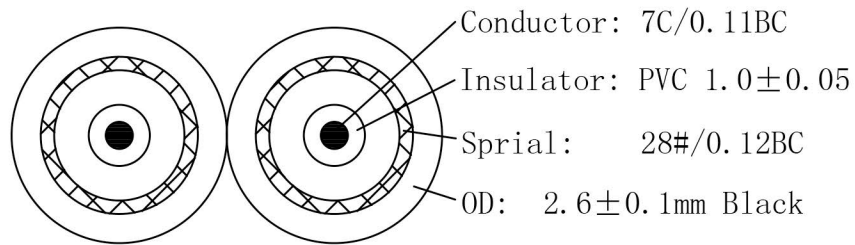
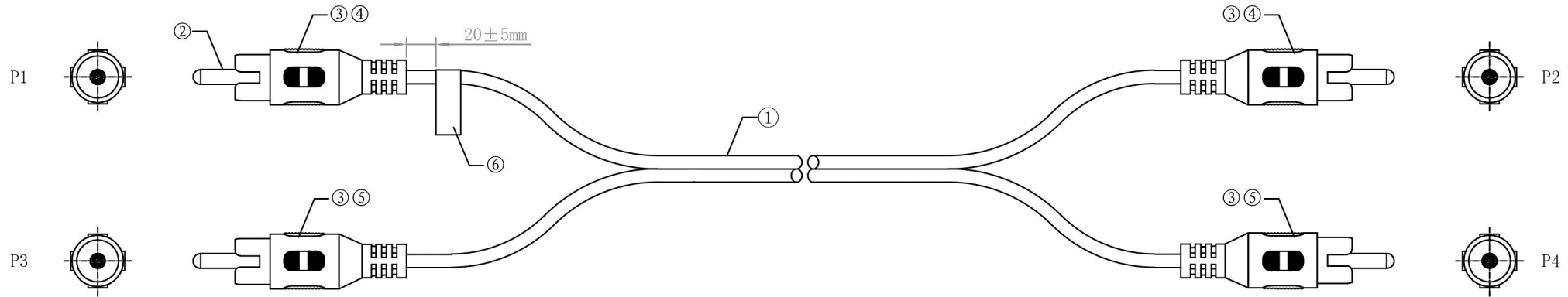


DUAL RCA M/M COPPER ANALOG

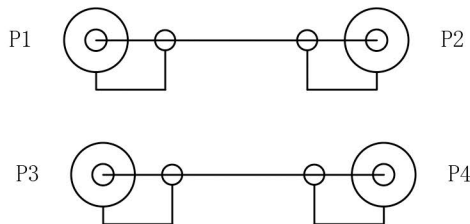
REV	DESCRIPTION OF CHANGE	DATE



Electrical Test:

1. 100% open short mis wire test
2. Contact resistance: 3Ω max
3. Insulation resistance: 5Ω min
4. HI-POT Test: DC 300V/10ms

PIN OUT



⑥	Sticker	Sticker	1PCS	
⑤	OUTER MOLDED	45P White PVC		
④	OUTER MOLDED	45P Red PVC		
③	INNER MOLDED	PE		
②	CONN	RCA/M Brass Gold Plated	4PCS	
①	CABLE	(7/0.12BC/PVC1.0+28SP/0.10BC)*2F OD:2.6+2.6MM Black PVC		
NO.	SPECIFICATION STANDARD		QTY	REMARK

SCALE	1:1
UNIT	mm

Weltron®

Part No:	44-337XX	DESIGN	Song	CHECKED		APPROVED	
DWG NO	US001B101	REV	A1	DATE	2016-06-17	PAGE:1/1	