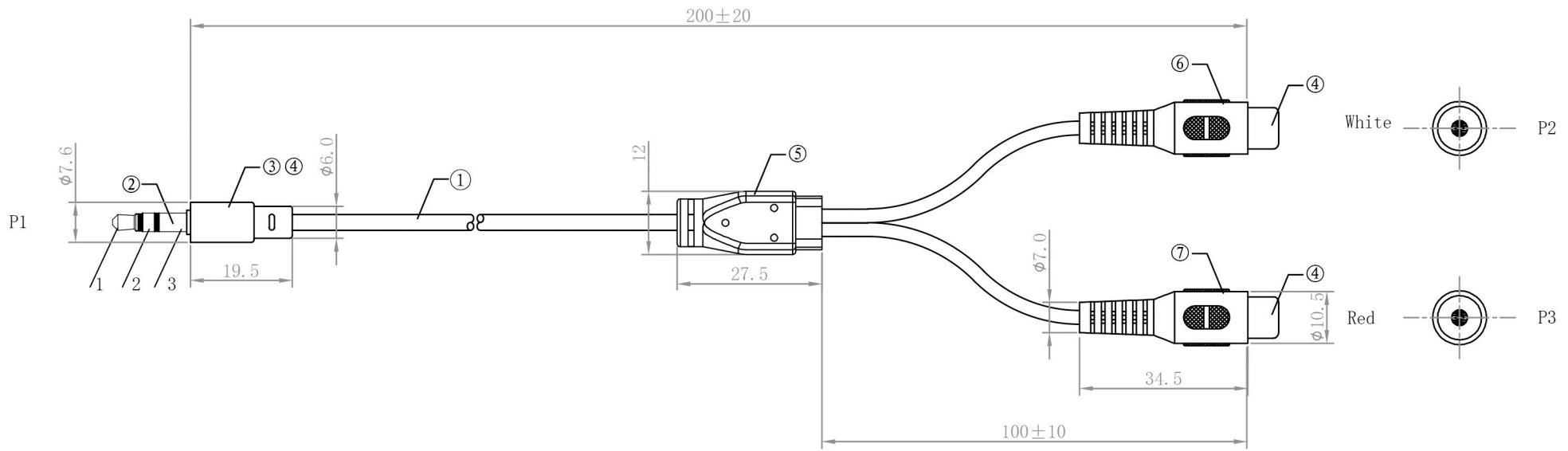
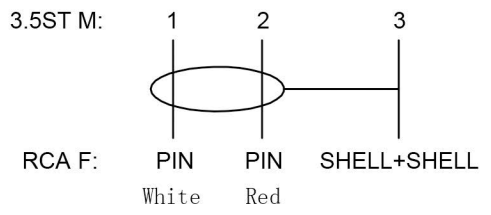


L=0.2M

REV	DESCRIPTION OF CHANGE	DATE



PIN ASSIGNMENT:



⑦	OUTER MOLDED	45P BLACK PVC		
⑥	OUTER MOLDED	45P BLACK PVC		
⑤	OUTER MOLDED	45P BLACK PVC		
④	CONN	RCA Female Nickel Plated	2PCS	
③	CONN	3.5 Stereo Male Nickel Plated	1PCS	
②	CABLE	(7/0.12BC/PVC1.0+28SP/0.12BC)*2F OD:2.6+2.6MM Black PVC	0.1M	
①	CABLE	7/0.12BC/PVC1.0*2C+28SP/0.11BC OD:3.0MM Black PVC	0.1M	
NO.	SPECIFICATION STANDARD		QTY	REMARK

Electrical Test:

- 100% open short mis wire test
- Contact resistance: 3Ω max
- Insulation resistance: 5Ω min
- All materials must meet the RoHS Standard.

SCALE	1:1
UNIT	mm

**weltron**<sup>®</sup>

ITEMNO: 44-342B-3.5S	DESIGN	Song	CHECKED		APPROVED	
DWG NO	US001B139	REV	A1	DATE	2016-06-17	PAGE:1/1