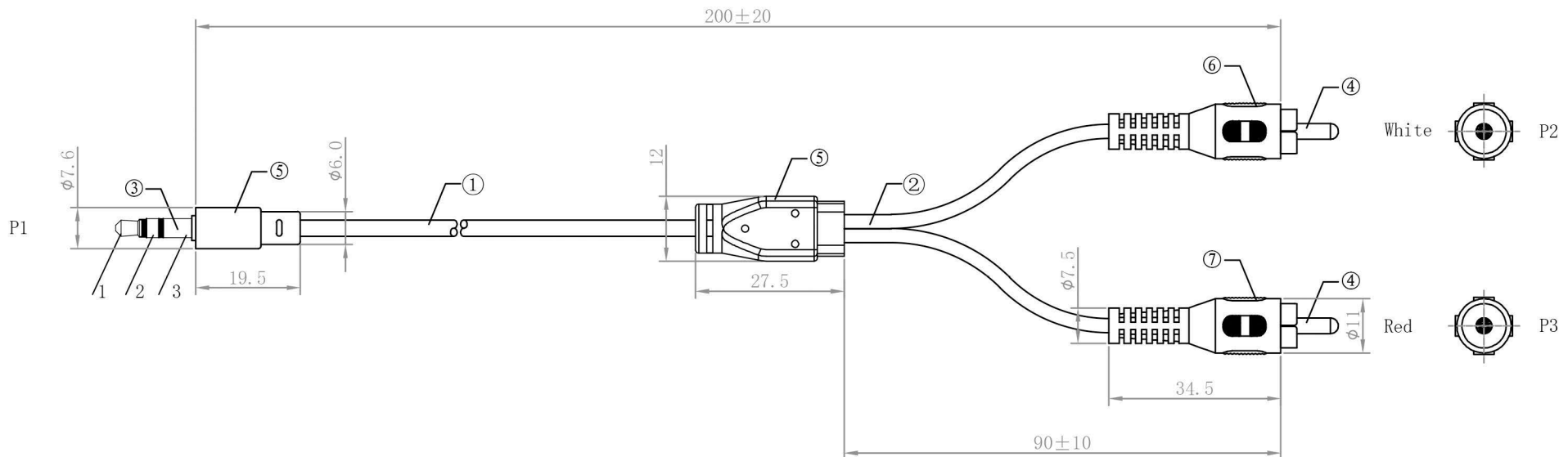
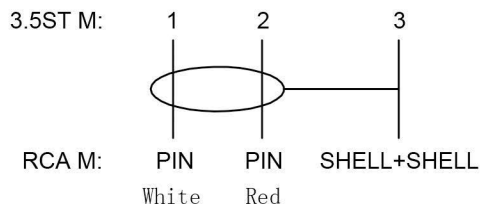


REV	DESCRIPTION OF CHANGE	DATE



PIN ASSIGNMENT:



Electrical Test:

- 1.100% open short mis wire test
- 2.Contact resistance: 3Ω max
- 3.Insulation resistance:5mΩ min
- 4.All materials must meet the RoHS Standard.

⑦	OUTER MOLDED	45P RED PVC		
⑥	OUTER MOLDED	45P WHITE PVC		
⑤	OUTER MOLDED	45P BLACK PVC		
④	CONN	RCA Male Nickel Plated		2PCS
③	CONN	3.5 Stereo Male Nickel Plated		1PCS
②	CABLE	(7/0.12BC/PVC1.0+28SP/0.12BC)*2F OD:2.6+2.6MM Black PVC		0.1M
①	CABLE	7/0.12BC/PVC1.0*2C+28SP/0.11BC OD:3.0MM Black PVC		0.1M
NO.	SPECIFICATION STANDARD		QTY	REMARK

SCALE	1:1
UNIT	mm

weltron®

ITEM NO:	44-342G-XX
DWG NO	US001B140

DESIGN	Song	CHECKED		APPROVED	
REV	A1	DATE	2016-04-14	PAGE:1/1	