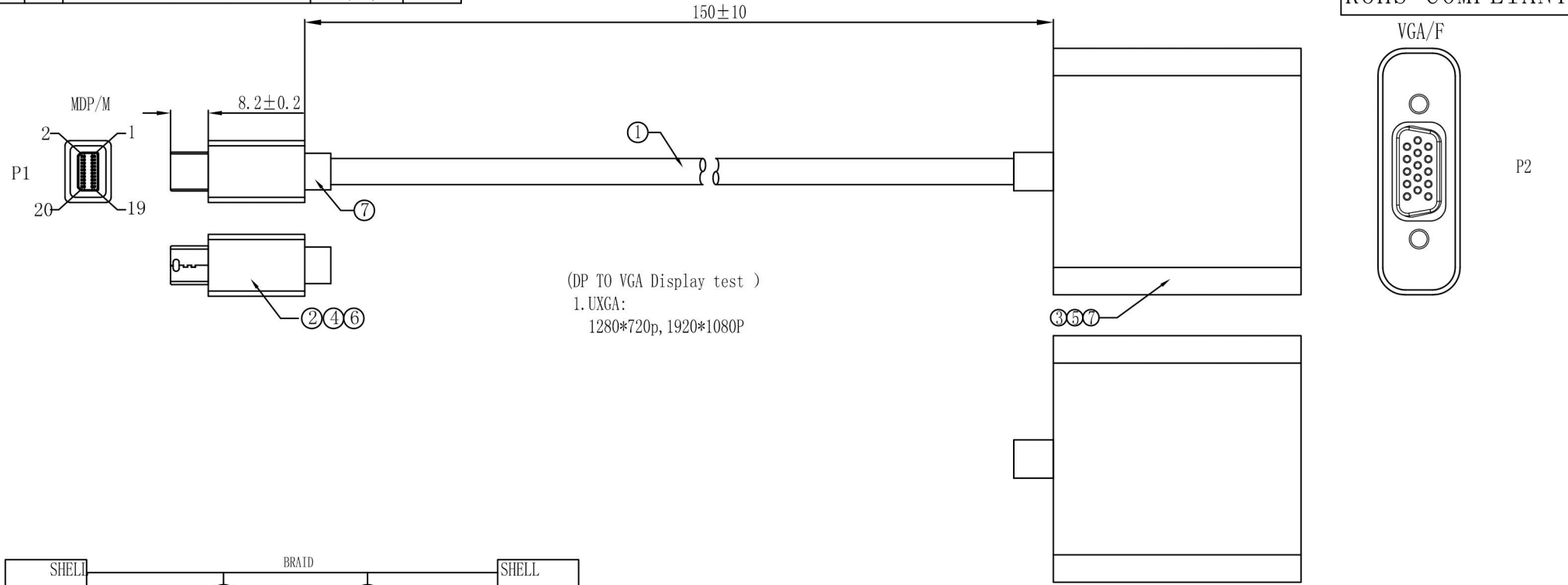
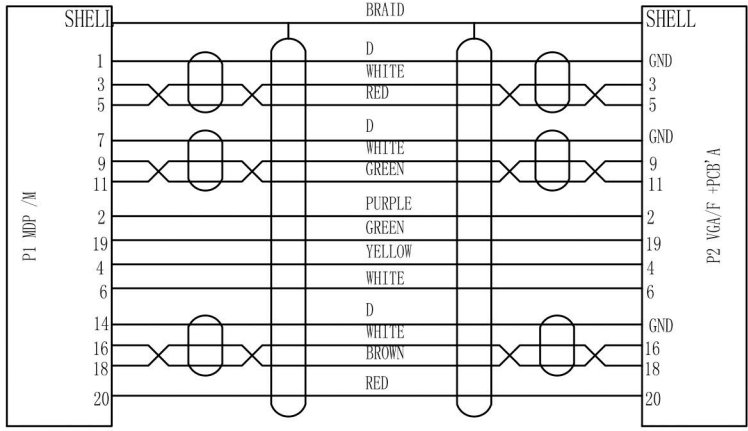


LTR	REV.	A	B	C	D	E	F	G	H	I	J
1	A		DESCRIPTION	DATE	APP'D						
			NEW DRAWING	2018/08/27	Grace						

RoHS-COMPLIANT



(DP TO VGA Display test)
 1. UXGA:
 1280*720p, 1920*1080P



7	OUTER	45P PVC Black		A/R
6	MOULD	LD-PE		A/R
5	SHELL	VGA FEMALE ABS BLACK		1
		(VGA) FEMALE BLACK SHELL ABS L45*W45mm		1
4	SHELL	MDP/M: ABS SHELL		1
		MDP/M BALCK ABS L18.6*W11.1mm		1
3	CONN	VGA F PCBA:ANX9833		1
2	CONN	MDP/M: G/F,Nickel Shell		1
1	CABLE	UL20276 #32*3P+#32*5C+AEB BLACK PVC OD:5.0mm		1

Part No:		91-723		Tol.		Inch	mm	mm		Grace	
				X.	.02	0.5		±°			
				X.X	.12	0.3		NONE			
				X.XX	.008	0.2		NONE			
Title :		MDP M TO VGA F 15cm BLACK 32#5.0mm		X.XXX	.006	0.15				2018-08-27	
A0140		201WG000000229		X.XXX	.006	0.15				A	1/1

weltron®