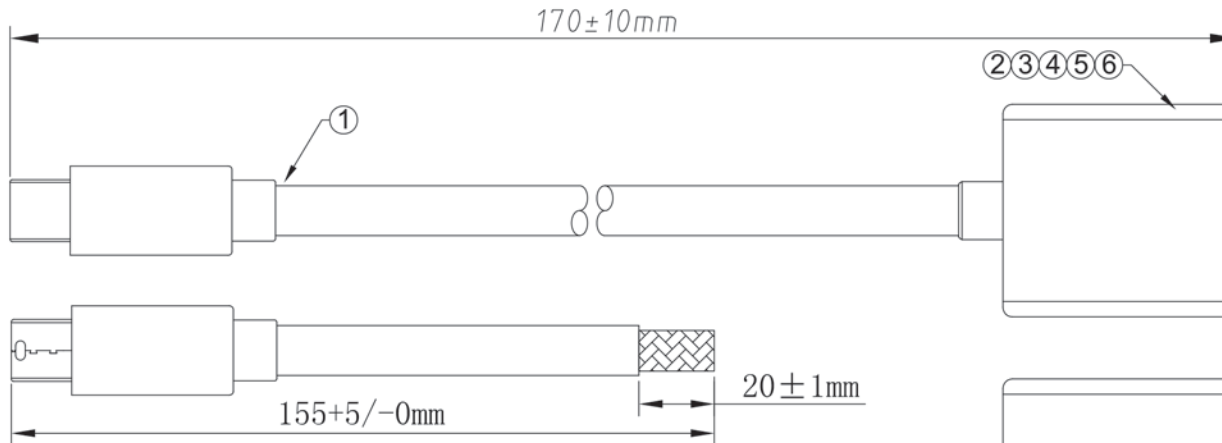
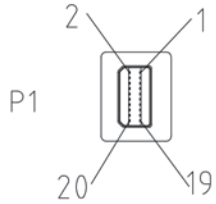


MINI DISPLAYPORT PLUG

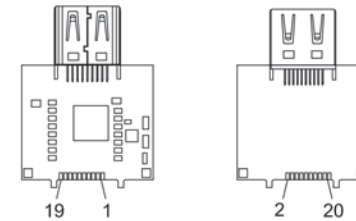
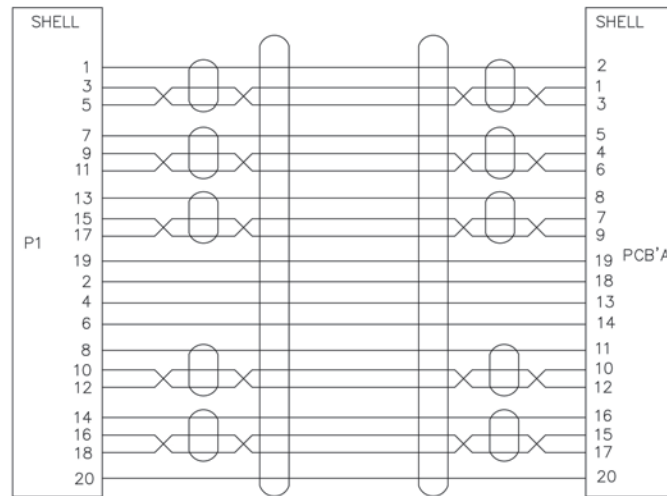


HDMI FEMALE



P2

TEST PARAMETER:
SOLUTION:1920*1080P/60Hz



NXP PCB'A

6	INNER MOULD	HDMI WHITE INNER MOULD	1 Pcs
5	S. R	60P PVC BLACK	9. 70g
4	SHELL	HDMI BLACK ABS SHELL	1 Pcs
3	SHELL	HDMI BALCK FRONT SHELL	1 Pcs
2	CLAMP	HDMI PCB' A 32# CLAMPE	1 Pcs
	CONN	DP TO HDMI A/F(MODEL:PTN3361)NICKEL	1 Pcs
1	CABLE	Mini DP TO OPEN UL20276 (32AWG*1P+D+AL/MY)*5C+32AWG*5C+MY/AL+BRAID JACKET PVC BLACK. OD=5. 5±0. 20mm	0. 5Pcs
NO	PART NO	SPEC	QTY

(DWG NO)	XY-A1211	(UNIT) MM
(REV)	A2	(SCALE)
(PAGE)	1/1	
(DESIGN)		DIMENSIONS ARE IN MILLIMETERS TOLERANCES:
(CHECKED)		LINEAR: X ± 1.0
(APPROVED)		XX ± 0.5
		XXX ± 0.15
		XXXX ± 0.05
		ANGULAR: ± 0.5°

Weltron®

TITLE Mini Display Port To HDMI Adapter

PART NO 91-724