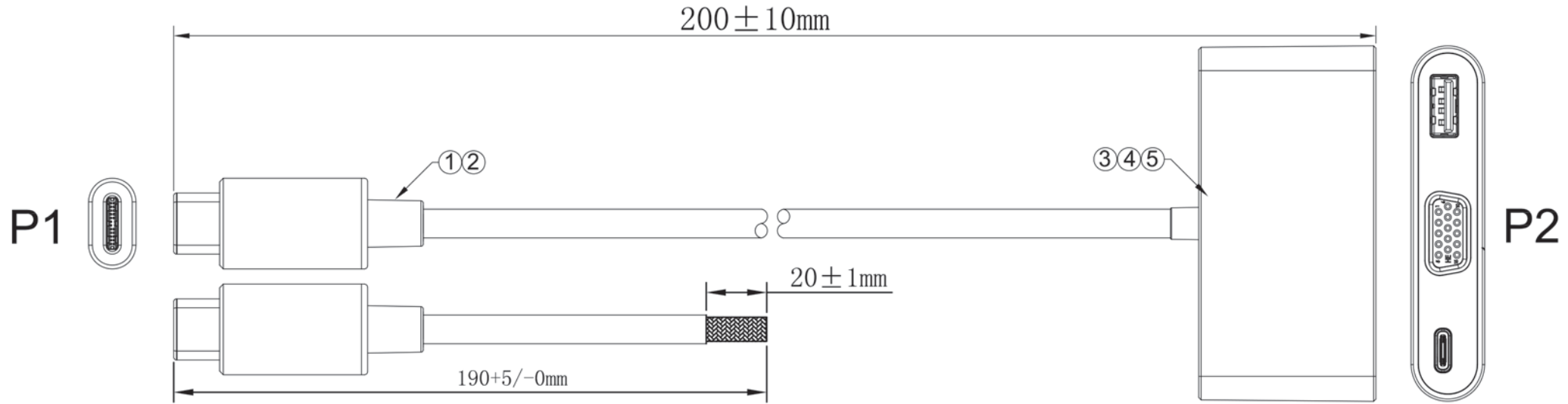
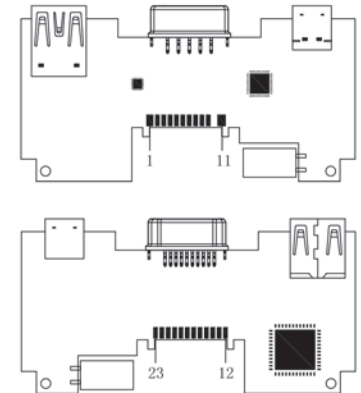
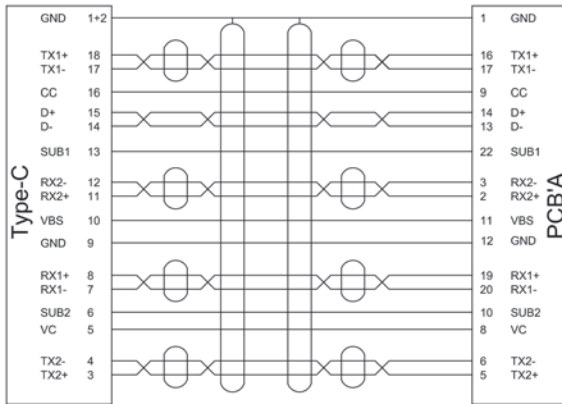
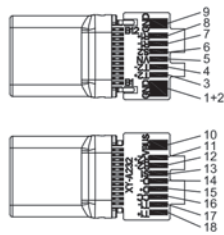


RoHS Compliant



TEST PARAMETER:
 VGA: 1920*1080/60Hz
 2. USB DATA TEST
 3. PD POWER TEST



PCB A
 CHIPSET MODEL: IT6516BFN+VL813+VL101

5	Heat Shrink	WHITE HEAT SHRINK , Φ1.0*L=8mm	1 Pcs
4	MOUDING	60P PVC Black	1.00g
3	INNER	Type-C to HDMI/VGAINNER MOULD	1 Pcs
	FRONT COVER	Type-C to VGA+USB+Type-C BLACK FRONT SHELL	1 Pcs
	ABS SHELL	Type-C to HDMI/VGA+USB+Type-C ABS SHELL	1 Pcs
	CLAMP	TYPE-C CLAMP	1 Pcs
	CONN	Type-C to VGA F + USB 3.0 A/F) + PD NICKEL CONNECTOR	1 Pcs
2	ABS SHELL	Type-C/M BLACK ABS SHELL Φ5.2	1 Pcs
1	CABLE	Type-C TO OPEN UL2725 (7/0.06T*1P+D+AL+HM)*4C+7/0.08T*1P+7/0.06T*4C+7/0.20T*2C+F+D+AB16/9/0.08T, JACKET PVC Black. OD:4.2±0.20mm (LOGO, USB 3.1)	0.5Pcs
NO	PART NO	SPEC	QTY

(DWG NO)	806-0428	(UNIT)
(REV)	A0	(SCALE)
(PAGE)	1/1	
(DESIGN)		
(CHECKED)		
(APPROVED)		

TOLERANCE UNSPECIFIED	
X.X	± 0.25
X.XX	± 0.15
X.XXX	± 0.05
X"	± 5"
X.X"	± 2"

Weltron®

(ITEM NO)	Type-C to VGA F + USB 3.0 A/F + Type-C/F Cable
(PART NO)	91-736