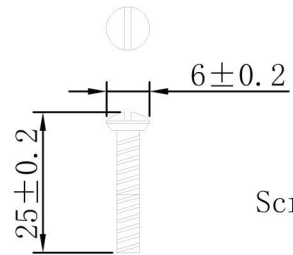
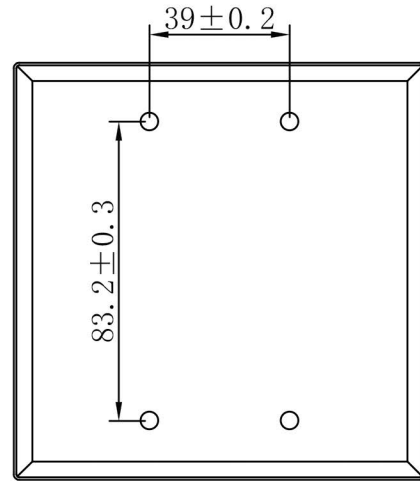
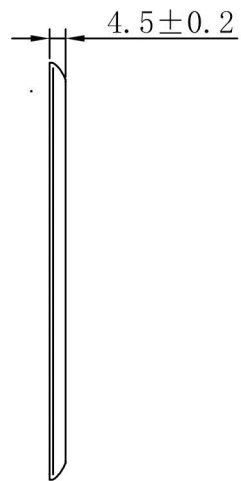


Stainless Steel Plate (Material: SS304)



Screw: Iron Nickel Plated x 4Pcs

weltron[®]						
PROJECTION	TOLERANCE	DESIGNED	HZM	CUSTOMER	SCALE	
	0 --5 ± 0.2	CHECKAGE		ITEM	FREE	
	5 --30 ± 0.3	APPROVAL			44-033DG	SHEET
UNITS mm	30--50 ± 0.4	DATE	2019-11-19	DWG NO.	1/1	
MODEL A4	ANGLE ± 3°			WLD-TZ1911030		