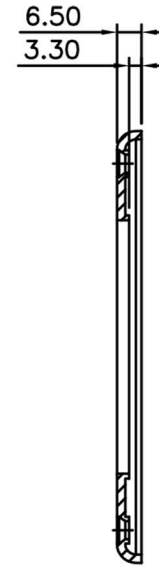
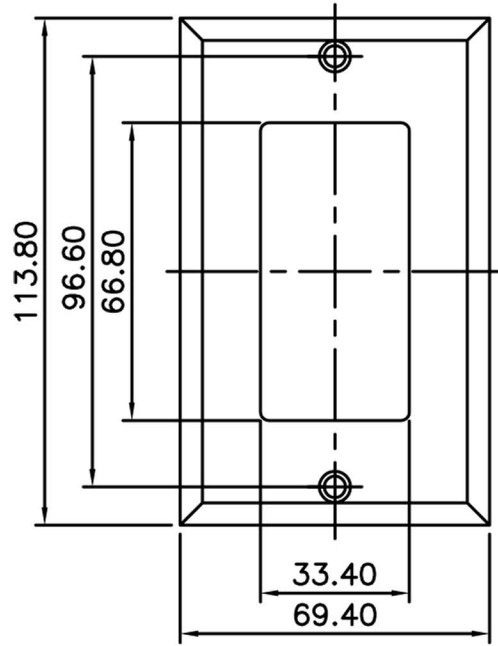


Article NO:

REV	DESCRIPTION OF CHANGE	DATE
A		11/05/04'

ALL RIGHTS RESERVED BY WINSTON INTERNATIONAL LTD. THE WELTRON LOGO, ITS NAME, AND ALL ITEMS ASSOCIATED WITH IT ARE PROPRIETARY INFORMATION OF WINSTON INTERNATIONAL, LTD.



A-A SECTION

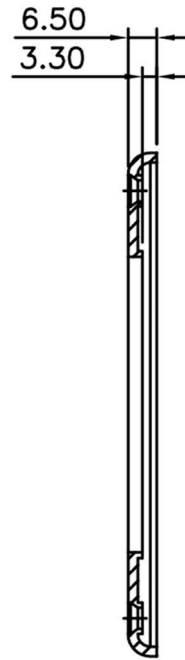
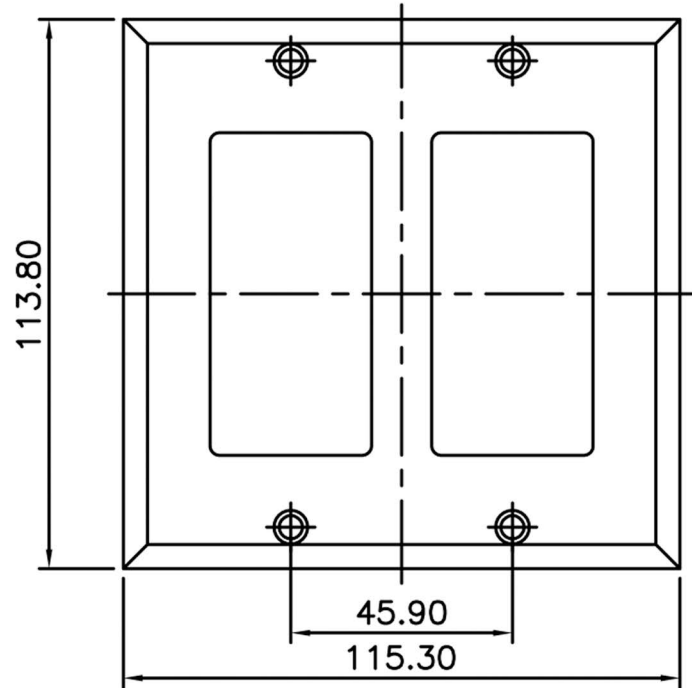
weltron®

NOTES:

- 1.MATERIAL: ABS UL 94V-0.
COLOR: OPTIONAL.
- 2.PART TO BE FREE BURRS,SCRATCHES,SPOTS, SUCKS OR OTHER IMPERFECTIONS THAT MAY PREJUDICE THE APPEARANCE OR FUNCTION.
- 3.FINISH: TEXTURE SPIA-3

DRAWN	BOB		
MATERIAL	ABS 94V-0		
ITEM PART #	44-541XX		
DESCRIPTION	1 PORT DECORA FACEPLATE	UNLESS OTHERWISE SPECIFIED: TOLERANCES DECIMAL ~20 ±0.1mm ANGLUAR ±0°50' OVER 20~60 ±0.15mm OVER 60~ ±0.2mm	
NO.	SPECIFICATION	STANDARD	QTY
			REMARK

	SCALE	1:1			DESIGN	Song	CHECKED	APPROVED	
	UNIT	mm	DWG NO	- SCALE 1:1	UNIT MM	REV	A	DATE	11/05/04'




A-A SECTION

REVISIONS				
ZONE	REV	DESCRIPTION	DATE	DRAWN
	A		11/5/04	BOB

NOTES:

- 1.MATERIAL: ABS UL 94V-0.
COLOR: OPTIONAL.
- 2.PART TO BE FREE BURRS,SCRATCHES,SPOTS,
SUCKS OR OTHER IMPERFECTIONS THAT MAY
PREJUDICE THE APPEARANCE OR FUNCTION.
- 3.FINISH: TEXTURE SPIA-3

weltron®

PACKAGE KIT:		UNLESS OTHERWISE SPECIFIED: TOLERANCES		PROJECT ID 2031D-X		PART NUMBER 44-542WH			
 SCREW(#6-32x5/16) Q'TY 2 SET		DECIMAL	~20 ±0.1mm	ANGULAR	±0°50'	FILE	Z1710.DWG	DATE	
		OVER 20-80	±0.15mm			DRAWN	BOB	11/5/04	TITLE
		MATERIAL	ABS 94V-0	CHECK		SIZE		DRAWING NUMBER	
		SURFACE		APPROVED		A4		Z1710	
		FINISH				SCALE		1 : 1	
						UNIT		mm	
								SHEET 1 OF 1	

D
C
B
A