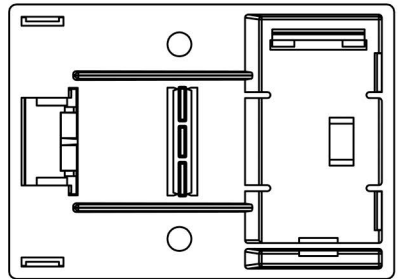
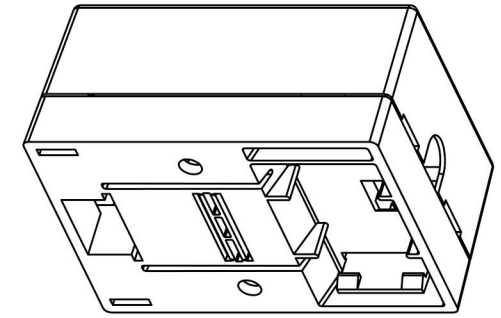
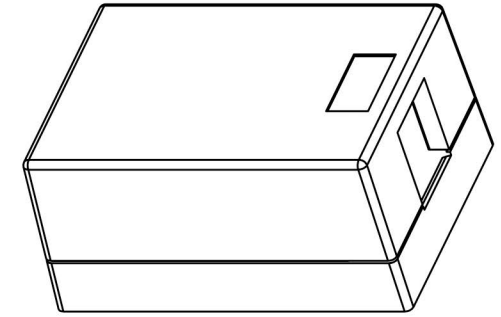
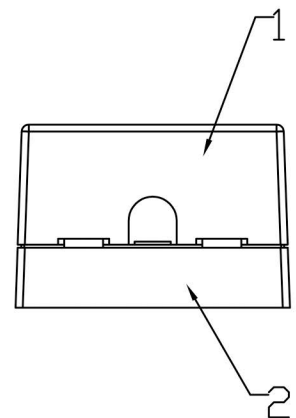
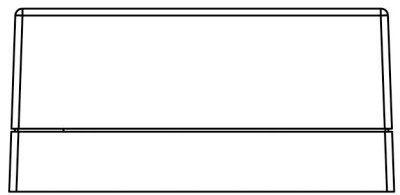
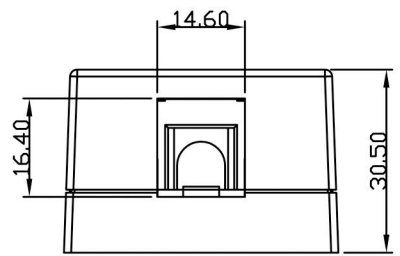
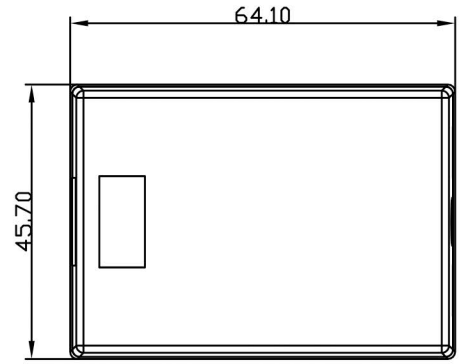


REVISIONS				
ZONE	REV	DESCRIPTION	DATE	DRAWN
	A	EG05021	05/06'05	JONES



ITEM	DESCRIPTION
1	1P COVER
2	1P BASE

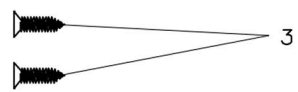
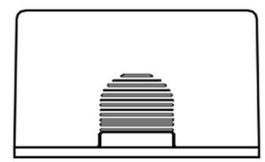
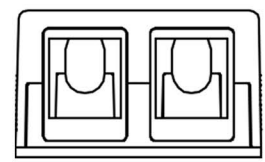
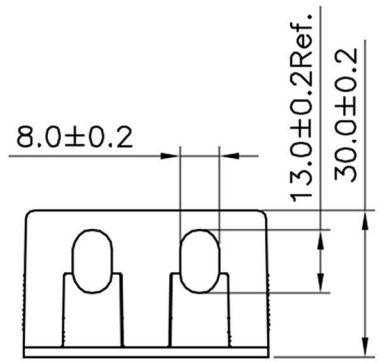
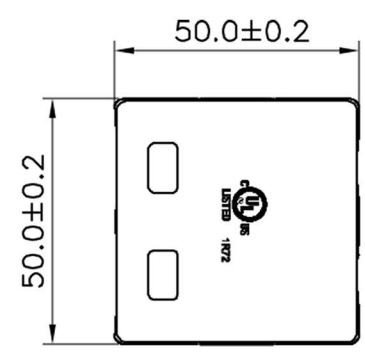
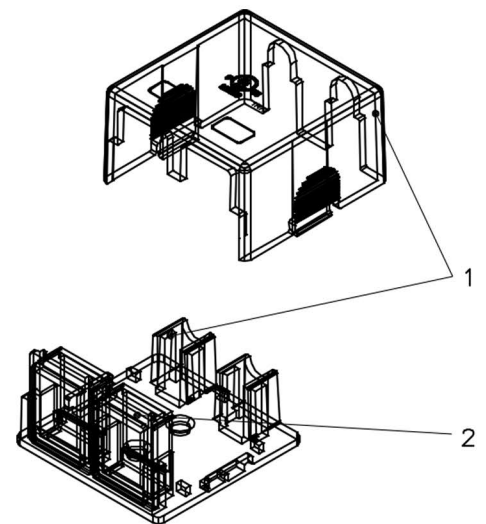
NOTES :

- MAT'L - ABS UL94V-0.
- PART TO BE FREE BURRS, SPOTS, SCRATCHES OR OTHER IMPERFECTION.
- GENERAL TOLERANCE TO BE ± 0.2 mm.

UNLESS OTHERWISE SPECIFIED: TOLERANCES		PROJECT ID H1032E1-A		Weltron [®]	
INCH .X \pm .016 .XX \pm .008 .XXX \pm .004	MM .X \pm 0.2 .XX \pm 0.1	ANGULAR X \pm 1' .X \pm .5'	FILE Z1810.DWG		
MATERIAL ABS 94V0		DRAWN JONES		PART NUMBER 44-797XX	
SURFACE		CHECK		SIZE A4	DRAWING NUMBER Z1810
FINISH MT11020		APPROVED		SCALE 1/1	UNIT mm
				SHEET 1 OF 1	REV A

NOTE: ALL MATERIAL COMPLIANT ROHS STANDARD

REVISION INFORMATION			
Rev.	Rev. Date	Modified By	Brief Description



SCALE 1/2

Specification :

- Material :
- 1. Box : ABS, UL 94V-0, with optional color.
 - 2. Bracket : ABS, UL 94V-0.
 - 3. Screw : M4X14.0X7.0mm.

Weltron®

DRAWN BY	DATE: 2012/08/25	DESCRIPTION: 2Port RJ45 Surface Mount Box (Box only)
CHECKED BY	SHEET 1 of 1	ITEM NO. 44-798XX
APPROVED BY	SCALE 1:2	REV. 00 UNIT: mm

NO.	PART NAME	SPECIFICATION DESCRIPTION	QTY	UNIT
③				
②				
①				