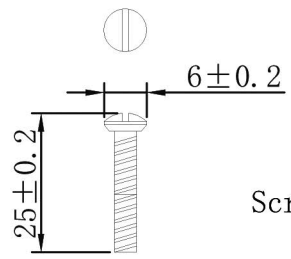
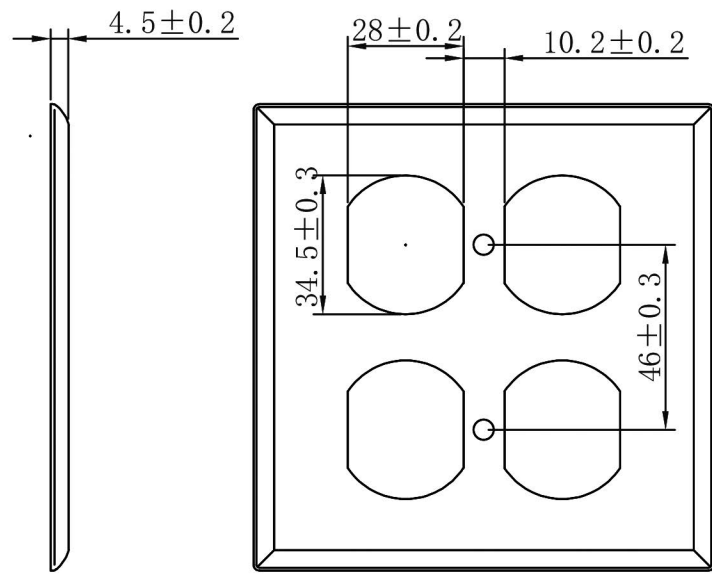


Stainless Steel Plate (Material: SS304)



Screw: Iron Nickel Plated x 2Pcs

weltron[®]						
PROJECTION	TOLERANCE	DESIGNED	HZM	CUSTOMER		SCALE
	0 --5 ±0.2	CHECKAGE		ITEM	93-102	FREE
	5 --30 ±0.3	APPROVAL				SHEET
UNITS mm	30--50 ±0.4	DATE	2019-11-19	DWG NO.	WLD-TZ1911028	1/1
MODEL A4	ANGLE ±3°					