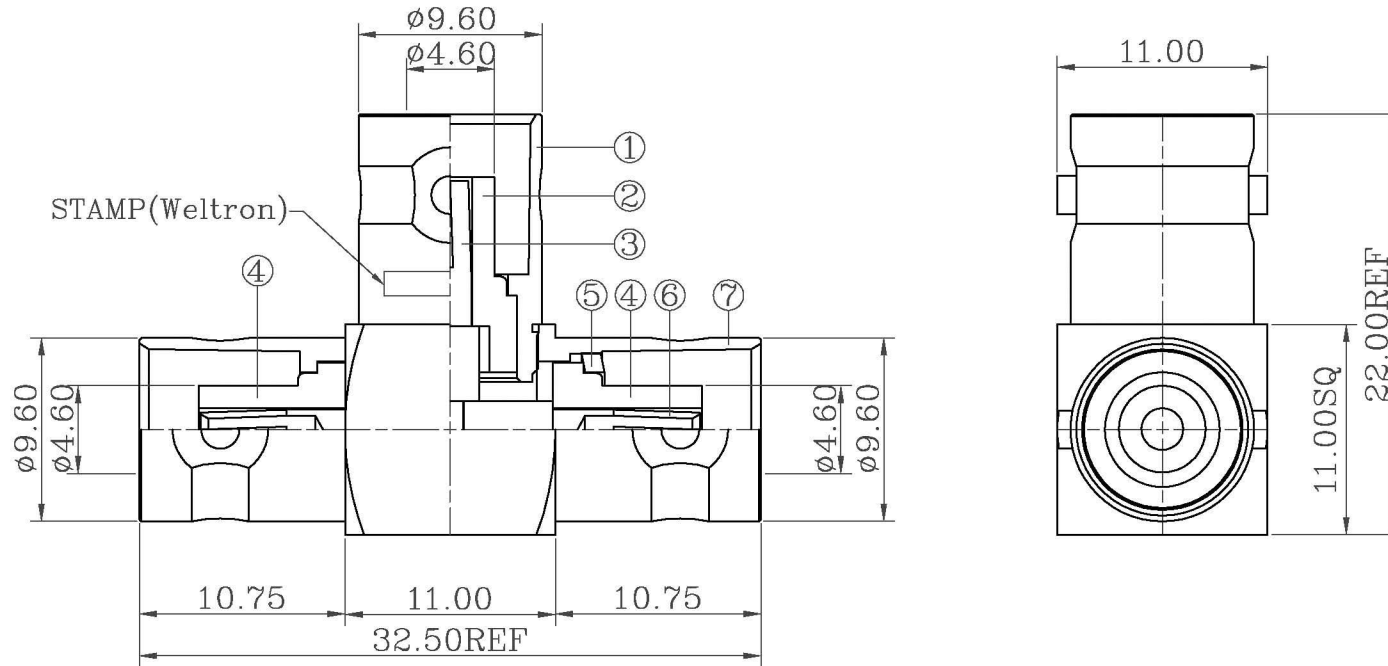


ROHS Compliant

REVISIONS

RevNo	Description	Date	Revision	Mender
1				
2				



NOTES:FINISH (PLATING THICKNESS IN MICRO-INCHES)

- 1.BRASS PER QQ-B-626
- 2.NICKEL PL.100 MIN. THICK OVER COPPER STRIKE
- 3.GOLD PL.3 MIN THICK OVER NICKEL PL.100 MIN. THICK OVER COPPER STRIKE

7	BODY	NOTE 1	1	NOTE 2
6	CONTACT PIN	NOTE 1	1	NOTE 3
5	WASHER	IRON	1	NOTE 2
4	INSULATOR	POM	2	NATURAL
3	CONTACT PIN	NOTE 1	1	NOTE 3
2	INSULATOR	POM	1	NATURAL
1	BODY	NOTE 1	1	NOTE 2
ITEM	DESCRIPTION	MATERIAL	Q'TY	FINISHED

weltron [®]				TITLE T TYPE THREE BNC FEMALE ADAPTOR, 50 OHM		
DRAWING NO.		UNITS	MM	UNLESS OTHERWISE SPECIFIED TOLERANCES: 0.5-15 = ±0.15 ANGLES ±5° 15-30 = ±0.30 30-120 = ±0.60 >120 = ±1.00	DESIGNED	<i>Xwj</i>
MODEL NO.		SCALE	FIT		DRAWING	<i>Xwj</i>
PART NO.		44-139	EDITION	A1	CHECKED	<i>David</i>
CAD FILE					PUBLISH DATE	2009/12/31
					APPROVED	<i>Andy</i>
					3RD ANGLE	