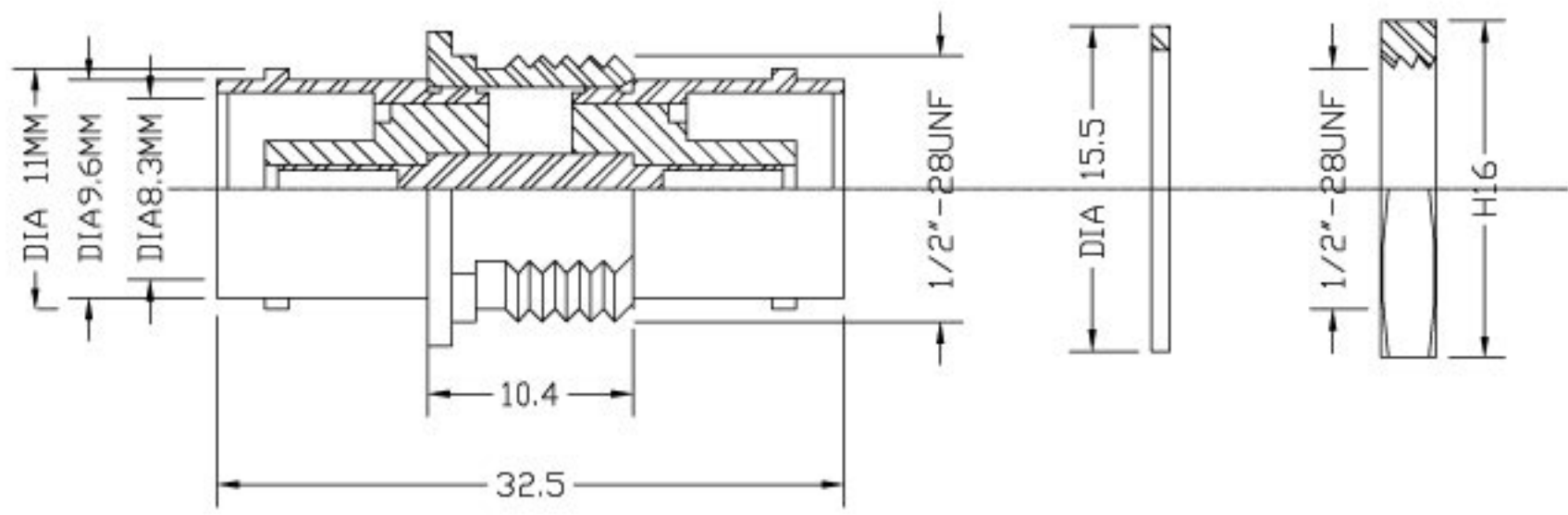


REV.	DESCRIPTION	ENG.	APPROVAL



# Weltron®

THIS DRAWING AND THE SPECIFICATIONS ARE THE PROPERTY OF STERIS ELECTRONICS INTERNATIONAL, LLC AND SHALL NOT BE COPIED OR USED IN ANY MANNER WITHOUT THE PRIOR WRITTEN PERMISSION FROM STERIS.	PART NO: 44-253		UNIT: MM		
	TITLE BNC COUPLER JACK-JACK PANEL MOUNT			SCALE	
	DRAWING NO.				
	DRN BY: Q.WENG		CHK BY: HC	APPR. BY: SOFFER	
DATE: 5/27/99		DATE: 5/27/99	DATE:		
FILE NAME			SHEET 1/1		

NO.	NAME	MATERIAL	FINISH	Q'TY	REMARK
3	ISELECTRIC	DELTRON			
2	CONTACT	BERYLLIUM COPPER	GOLD PLATING		
1	BODY	ZINC-DECAST	NICKEL PLATING		

DIMENSIONS TOLERANCE  
 0 TO 25MM +/- 0.25MM  
 25 TO 50MM +/- 0.25MM  
 50 TO 100MM +/- 0.25MM  
 100MM AND UP +/- 0.25MM  
 UNLESS OTHERWISE SPECIFIED, DIMENSIONS ARE IN MILLIMETERS AND ANGULAR TOLERANCE IS +/- 10°