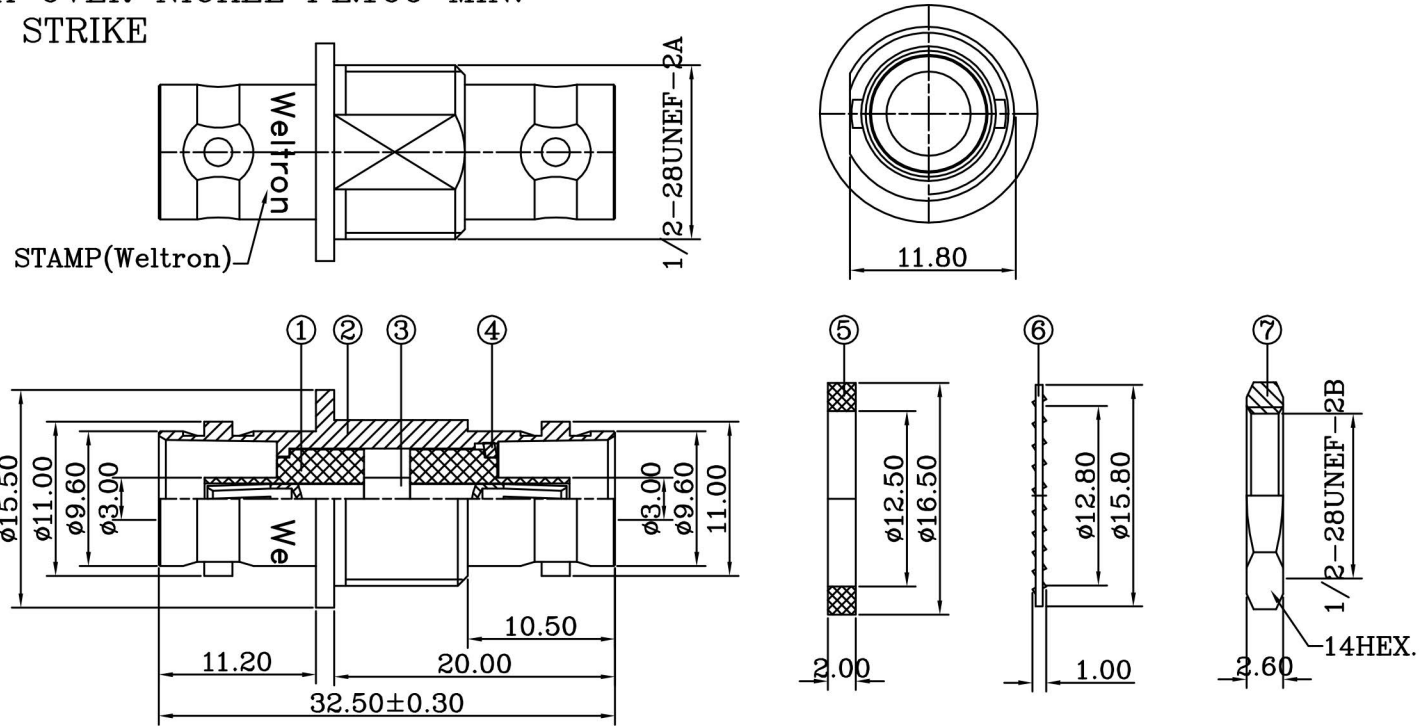


ROHS Compliant

REVISIONS				
RevNo	Description	Date	Revision	Mender
1				
2				

NOTES:FINISH (PLATING THICKNESS IN MICRO-INCHES)

- 1.BRASS PER QQ-B-626
- 2.PHOSPHOR BRONZE PER QQ-B-750
- 3.NICKEL PL.100 MIN. THICK OVER COPPER STRIKE
- 4.GOLD PL.3 MIN THICK OVER NICKEL PL.100 MIN. THICK OVER COPPER STRIKE



7	NUT	NOTE 1	1	NOTE 3
6	LOCK WASHER	IRON	1	NOTE 3
5	GASKET	RUBBER	1	RED
4	WASHER	IRON	1	NOTE 3
3	CONTACT PIN	NOTE 2	1	NOTE 4
2	BODY	NOTE 1	1	NOTE 3
1	INSULATOR	POM	2	NATURAL
ITEM	DESCRIPTION	MATERIAL	Q'TY	FINISHED

weltron [®]				TITLE BNC DOUBLE FEMALE BULKHEAD ADAPTOR,75 OHMS		
DRAWING NO.		UNITS	MM	UNLESS OTHERWISE SPECIFIED TOLERANCES: 0.5-15 = ±0.15 ANGLES ±5° 15-30 = ±0.30 30-120 = ±0.60 >120 = ±1.00	DESIGNED	<i>Ckq</i>
MODEL NO.		SCALE	FIT		DRAWING	<i>Ckq</i>
PART NO.		44-253IS	EDITION	A1	CHECKED	<i>David</i>
CAD FILE		Yin sheng/Yifaxing/SB/SB132		PUBLISH DATE	APPROVED	<i>Andy</i>
				2012/12/07	3RD ANGLE	