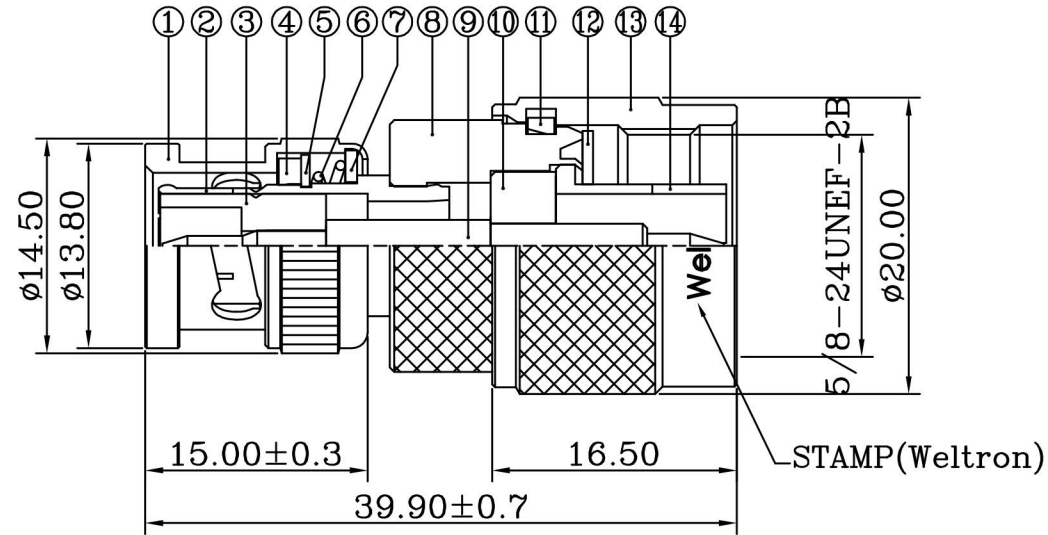


ROHS Compliant

REVISIONS				
RevNo	Description	Date	Revision	Mender
1				
2				



14	CONTACT BODY	NOTE1	1	NOTE3
13	SHELL	NOTE1	1	NOTE3
12	GASKET	RUBBER	1	RED
11	RETAINER RING	NOTE1	1	NATURAL
10	INSULATOR	NOTE2	1	WHITE
9	CENTER PIN	NOTE1	1	NOTE4
8	BODY	NOTE1	1	NOTE3
7	WASHER	IRON	1	NOTE3
6	SPRING	65Mn	1	NATURAL
5	RETAINER RING	65Mn	1	NOTE3
4	GASKET	RUBBER	1	RED
3	INSULATOR	NOTE2	1	WHITE
2	BODY	NOTE1	1	NOTE3
1	SHELL	NOTE1	1	NOTE3
ITEM	DESCRIPTION	MATERIAL	Q'TY	FINISHED

NOTES:FINISH (PLATING THICKNESS IN MICRO-INCHES)

1.BRASS PER QQ-B-626

2.TEFLON MIL-P-19468

3.NICKEL PL.100 MIN. THICK OVER COPPER STRIKE

4.GOLD PL.3 MIN THICK OVER NICKEL PL.100 MIN.

THICK OVER COPPER STRIKE

weltron®				TITLE		
				BNC MALE TO N MALE		
DRAWING NO.		UNITS	MM	UNLESS OTHERWISE SPECIFIED TOLERANCES: 0.5-15 = ±0.15 15-30 = ±0.30 30-120 = ±0.60 >120 = ±1.00	DESIGNED	Ckq
MODEL NO.		SCALE	FIT		ANGLES ±5°	DRAWING
PART NO.		44-257			CHECKED	David
CAD FILE		EDITION	A1	PUBLISH DATE	APPROVED	Andy
Yin sheng/Yifaxing/SN/SN323				2012/12/08	3RD ANGLE	