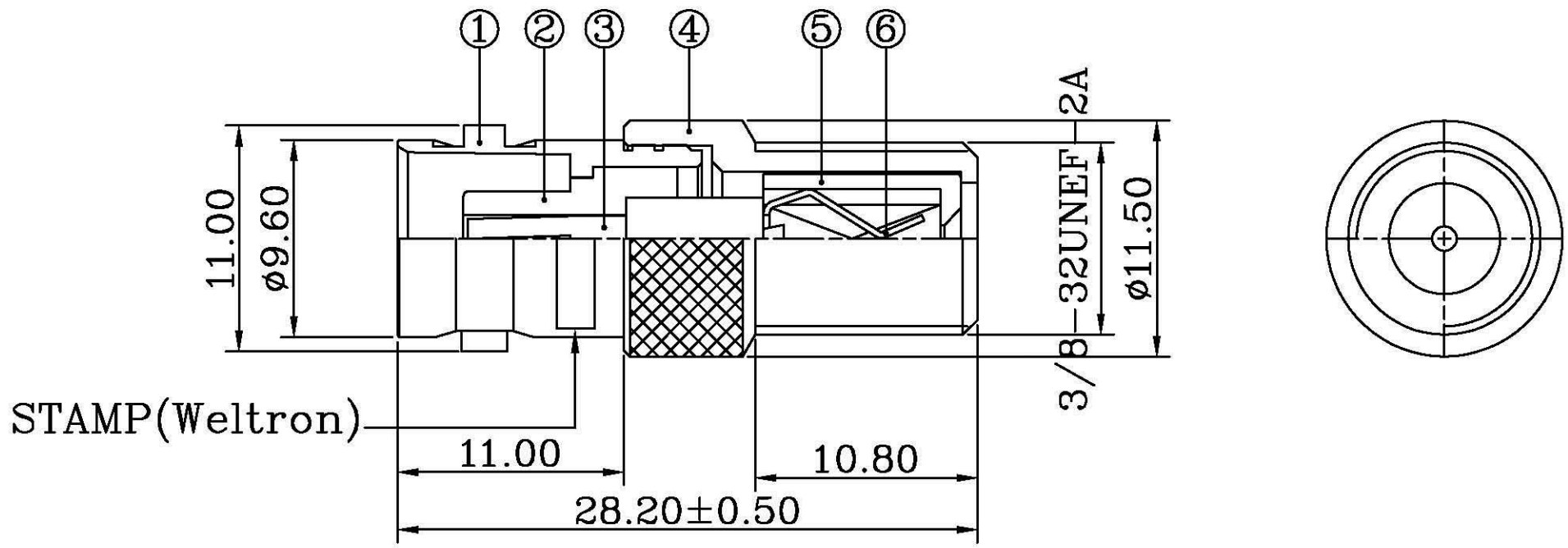


ROHS Compliant

REVISIONS				
RevNo	Description	Date	Revision	Mender
1				
2				



- NOTES:FINISH (PLATING THICKNESS IN MICRO-INCHES)
- 1.BRASS PER QQ-B-626
 - 2.PHOSPHOR BRONZE PER QQ-B-750
 - 3.NICKEL PL.100 MIN. THICK OVER COPPER STRIKE
 - 4.GOLD PL.3 MIN THICK OVER NICKEL PL.100 MIN. THICK OVER COPPER STRIKE

ITEM	DESCRIPTION	MATERIAL	Q'TY	FINISHED
6	CENTER CONTACT	NOTE 2	1	NOTE 4
5	INSULATOR	PP	1	NATURAL
4	F BODY	NOTE 1	1	NOTE 3
3	CONTACT PIN	NOTE 1	1	NOTE 4
2	INSULATOR	POM	1	NATURAL
1	BNC BODY	NOTE 1	1	NOTE 3

weltron [®]				TITLE BNC FEMALE TO F FEMALE			
PART NO.	44-284	UNITS	MM	UNLESS OTHERWISE SPECIFIED TOLERANCES:		DESIGNED	<i>NQ</i>
		SCALE	FIT			DRAWING	<i>NQ</i>
MODEL NO.				0.5-15 = ±0.15	ANGLES ±5°	CHECKED	<i>David</i>
		EDITION	A1	15-30 = ±0.30		APPROVED	<i>Andy</i>
CAD FILE	Yin sheng/Yifaxing/SB/SB121			30-120 = ±0.60		3RD ANGLE	
				>120 = ±1.00			
				PUBLISH DATE		2012/12/07	