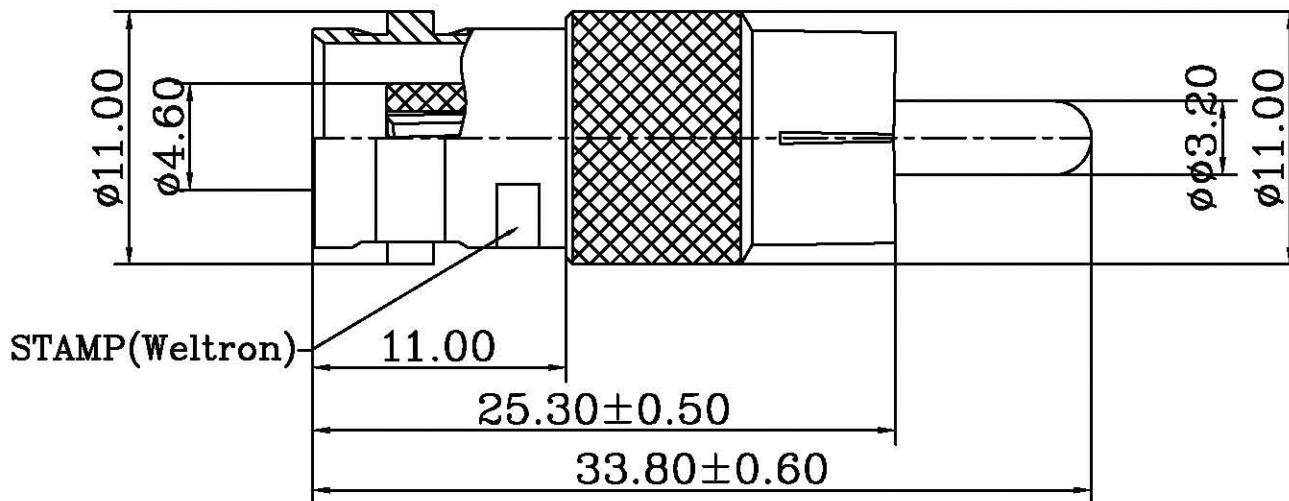
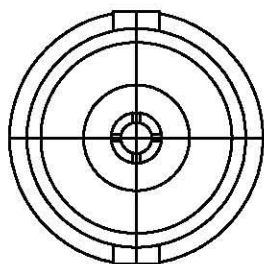


REVISIONS				
RevNo	Description	Date	Revision	Mender
1				
2				



ROHS Compliant

4	CONTACT PIN	BRASS	1	NICKEL PLATED
3	INSULATOR	POM	1	NATURAL
2	INSULATOR	POM	1	NATURAL
1	BODY	ZINC	1	NICKEL PLATED
ITEM	DESCRIPTION	MATERIAL	Q'TY	FINISHED

weltron [®]				TITLE		
				BNC FEMALE TO RCA MALE, 50 OHM		
PART NO.	44-292	UNITS	MM	UNLESS OTHERWISE SPECIFIED TOLERANCES: 0.5-15 = ±0.15 ANGLES 15-30 = ±0.30 ±3° 30-120 = ±0.60 >120 = ±1.00	DESIGNED	<i>CJ</i>
MODEL NO.		SCALE	FIT		DRAWING	<i>CJ</i>
DRAWING NO.		EDITION	A1	PUBLISH DATE	APPROVED	<i>Andy</i>
CAD FILE	Yin sheng/Yifaxing/Sb(BNC)/SB156			2015/04/08	3RD ANGLE	