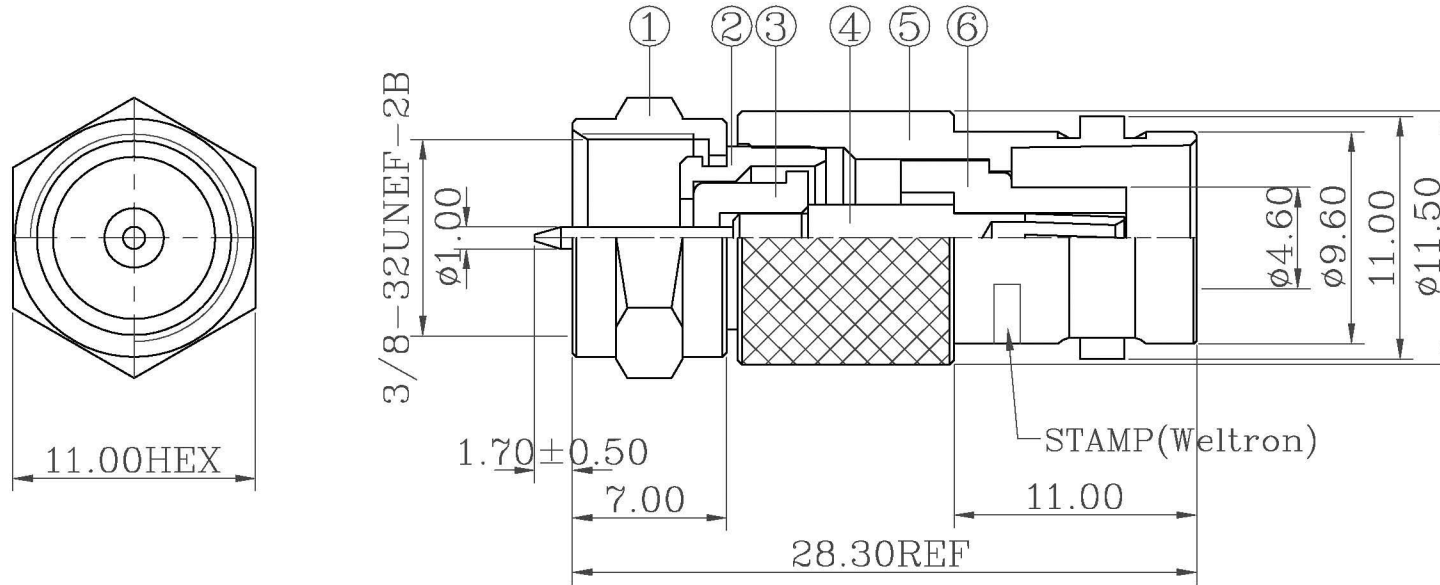


ROHS Compliant

REVISIONS

RevNo	Description	Date	Revision	Mender
1				
2				



NOTES:FINISH(PLATING THICKNESS IN MICRO-INCHES)

- 1.BRASS PER QQ-B-626
- 2.NICKEL PL.100 MIN. THICK OVER COPPER STRIKE
- 3.GOLD PL.3 MIN THICK OVER NICKEL PL.100 MIN. THICK OVER COPPER STRIKE

ITEM	DESCRIPTION	MATERIAL	Q'TY	FINISHED
6	INSULATOR	POM	1	NATURAL
5	BODY	NOTE 1	1	NOTE 2
4	CONTACT PIN	NOTE 1	1	NOTE 3
3	INSULATOR	POM	1	NATURAL
2	HOUSING	NOTE 1	1	NOTE 2
1	SHELL	NOTE 1	1	NOTE 2

<b>weltron</b> <sup>®</sup>				TITLE			
				F MALE TO BNC FEMALE, 50 OHM			
DRAWING NO.		UNITS	MM	UNLESS OTHERWISE SPECIFIED TOLERANCES: 0.5-15 = ±0.15 15-30 = ±0.30 30-120 = ±0.60 >120 = ±1.00	DESIGNED	<i>NQ</i>	
MODEL NO.		SCALE	FIT		ANGLES ±5°	DRAWING	<i>NQ</i>
PART NO.		44-297		EDITION	A1	PUBLISH DATE	2009/12/31
CAD FILE						APPROVED	<i>Andy</i>
						3RD ANGLE	