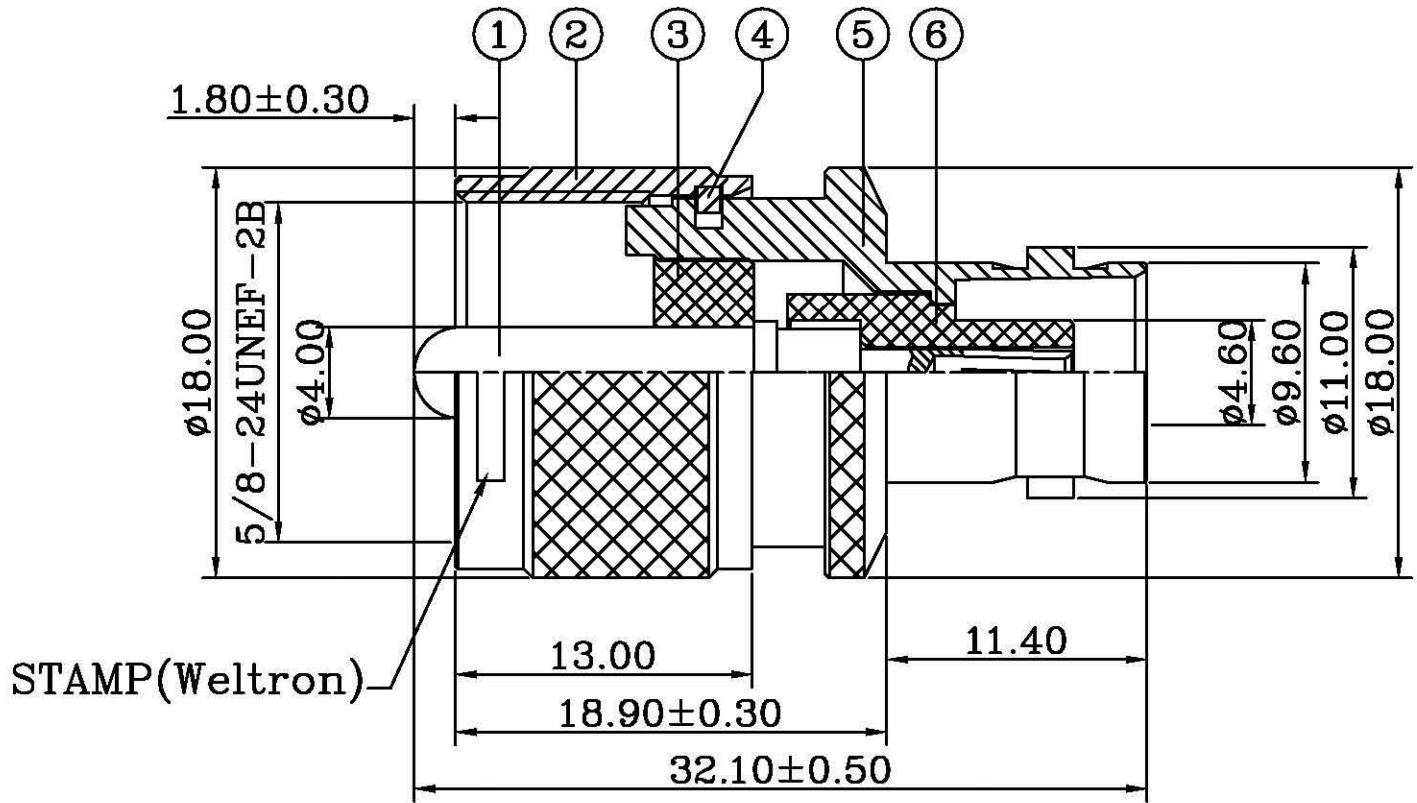


ROHS Compliant

REVISIONS				
RevNo	Description	Date	Revision	Mender
1				
2				



NOTES:FINISH (PLATING THICKNESS IN MICRO-INCHES)
 1.BRASS PER QQ-B-626
 2.NICKEL PL.100 MIN. THICK OVER COPPER STRIKE

ITEM	DESCRIPTION	MATERIAL	Q'TY	FINISHED
6	INSULATOR	TEFLON	1	WHITE
5	BODY	NOTE 1	1	NOTE 2
4	"C" RING	P-bronze	1	NATURAL
3	INSULATOR	TEFLON	1	WHITE
2	SHELL	NOTE 1	1	NOTE 2
1	CONTACT PIN	NOTE 1	1	NOTE 2

weltron ®				TITLE			
				BNC FEMALE TO UHF MALE			
DRAWING NO.	MODEL NO.	UNITS	MM	UNLESS OTHERWISE SPECIFIED TOLERANCES:	DESIGNED	NQ	
		SCALE	FIT		0.5-15 = ±0.15 15-30 = ±0.30 30-120 = ±0.50 >120 = ±1.00	DRAWING	NQ
PART NO.	44-318		EDITION	A1	CHECKED	David	
CAD FILE	Yin sheng/Yifaxing/SB/SB149		PUBLISH DATE		APPROVED	Andy	
				2012/12/07		☐ ⊕ 3RD ANGLE	