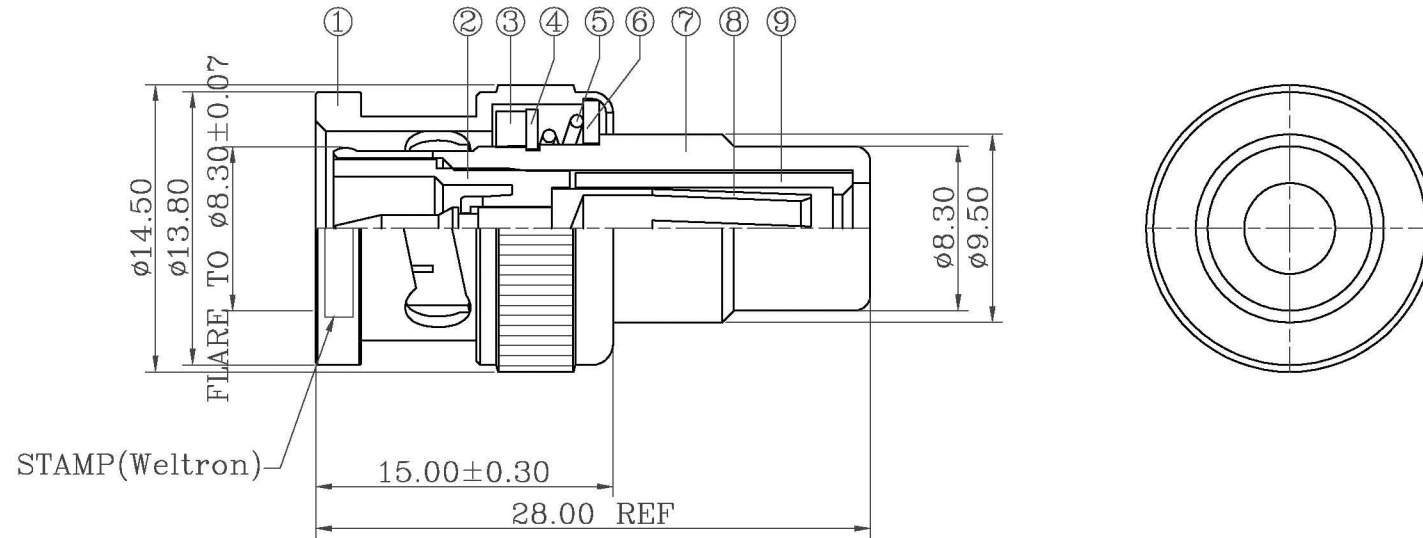


ROHS Compliant

REVISIONS

RevNo	Description	Date	Revision	Mender
1				
2				



NOTES:FINISH (PLATING THICKNESS IN MICRO-INCHES)

- 1.BRASS PER QQ-B-626
- 2.NICKEL PL.100 MIN. THICK OVER COPPER STRIKE
- 3.GOLD PL.3 MIN THICK OVER NICKEL PL.100 MIN. THICK OVER COPPER STRIKE

9	INSULATOR	POM	1	NATURAL
8	CONTACT PIN	NOTE 1	1	NOTE 3
7	BODY	NOTE 1	1	NOTE 2
6	WASHER	IRON	1	NOTE 2
5	SPRING	65Mn	1	NATURAL
4	RETAINER RING	65Mn	1	NOTE 2
3	GASKET	RUBBER	1	RED
2	INSULATOR	POM	1	NATURAL
1	SHELL	NOTE 1	1	NOTE 2
ITEM	DESCRIPTION	MATERIAL	Q'TY	FINISHED

Weltron [®]				TITLE		
				BNC MALE TO RCA FEMALE ADAPTER, 50 OHM		
PART NO.	44-319	UNITS	MM	UNLESS OTHERWISE SPECIFIED TOLERANCES: 0.5-15 = ±0.15 ANGLES ±3° 15-30 = ±0.30 30-120 = ±0.60 >120 = ±1.00	DESIGNED	<i>Xwj</i>
		SCALE	FIT		DRAWING	<i>Xwj</i>
MODEL NO.					CHECKED	<i>David</i>
DRAWING NO.		EDITION	A1	PUBLISH DATE	APPROVED	<i>Andy</i>
CAD FILE				2010/01/03	3RD ANGLE	