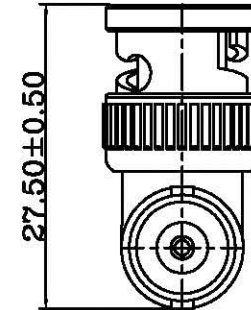
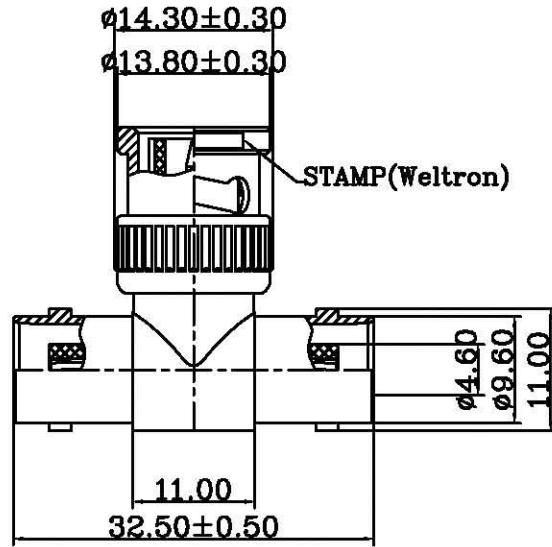
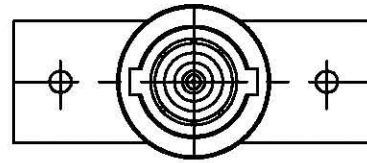


ROHS Compliant

REVISIONS

RevNo	Description	Date	Revision	Mender
1				
2				



11	INSULATOR	POM	2	NATURAL
10	CENTER PIN	P-BRONZE	1	GOLD PLATED
9	WASHER	IRON	1	NICKEL PLATED
8	BODY	ZINC	1	NICKEL PLATED
7	WASHER	IRON	1	NICKEL PLATED
6	SPRING	65Mn	1	NATURAL
5	GASKET	PVC	1	RED
4	CONTACT PIN	BRASS	1	GOLD PLATED
3	INSULATOR	POM	1	NATURAL
2	OUT CONTACT	ZINC	1	NICKEL PLATED
1	SHELL	ZINC	1	NICKEL PLATED
ITEM	DESCRIPTION	MATERIAL	Q'TY	FINISHED

weltron [®]				TITLE BNC ADAPTOR ONE MALE DOUBLE FEMALE, 50 OHM		
PART NO.	44-325	UNITS	MM	UNLESS OTHERWISE SPECIFIED TOLERANCES: 0.5-15 = ±0.15 ANGLES ±5° 15-30 = ±0.30 30-120 = ±0.80 >120 = ±1.00	DESIGNED	CJ
		SCALE	FIT		DRAWING	CJ
MODEL NO.					CHECKED	David
		EDITION	A1	PUBLISH DATE	APPROVED	Andy
CAD FILE	Yin sheng/Yifaxing/SB/SB134			2016/01/19	☞ 3RD ANGLE	