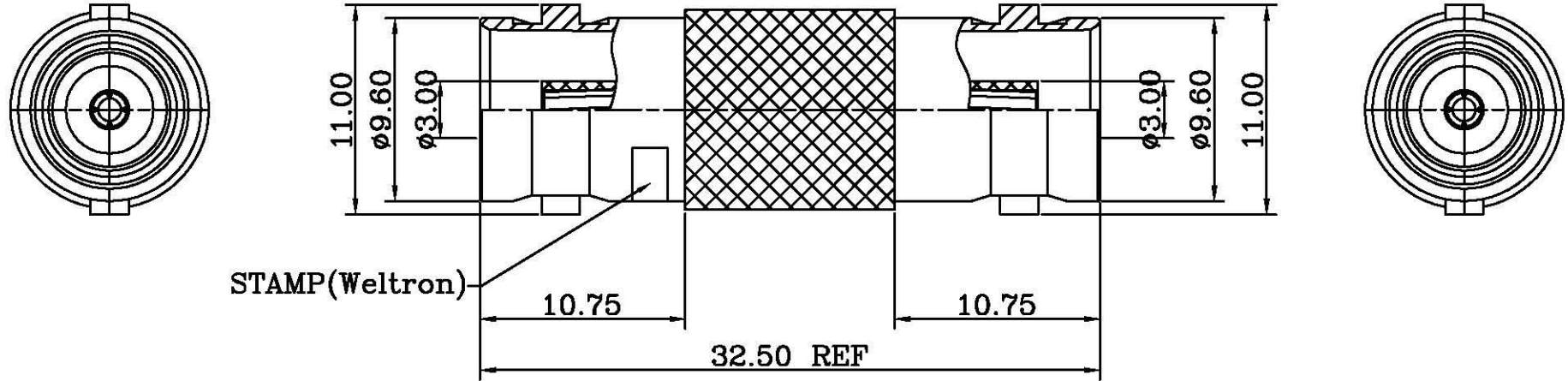


ROHS Compliant

REVISIONS

RevNo	Description	Date	Revision	Mender
1				
2				



4	WASHER	IRON	1	NICKEL PLATED
3	CONTACT PIN	P-BRONZE	1	GOLD PLATED
2	INSULATOR	POM	2	NATURAL
1	BODY	ZINC	1	NICKEL PLATED
ITEM	DESCRIPTION	MATERIAL	Q'TY	FINISHED

weltron [®]				TITLE		
PART NO.		44-327-75		BNC DOUBLE FEMALE ADAPTOR,75 OHM		
MODEL NO.		UNITS	MM	UNLESS OTHERWISE SPECIFIED TOLERANCES: 0.6-16 = ±0.15 ANGLES 16-30 = ±0.30 ±6° 30-120 = ±0.60 >120 = ±1.00	DESIGNED	CJ
		SCALE	FIT		DRAWING	CJ
		EDITION	A1	CHECKED	David	
CAD FILE		Yin sheng/Yifaxing/SB/SB128		PUBLISH DATE	APPROVED	Andy
				2015/04/05	3RD ANGLE	