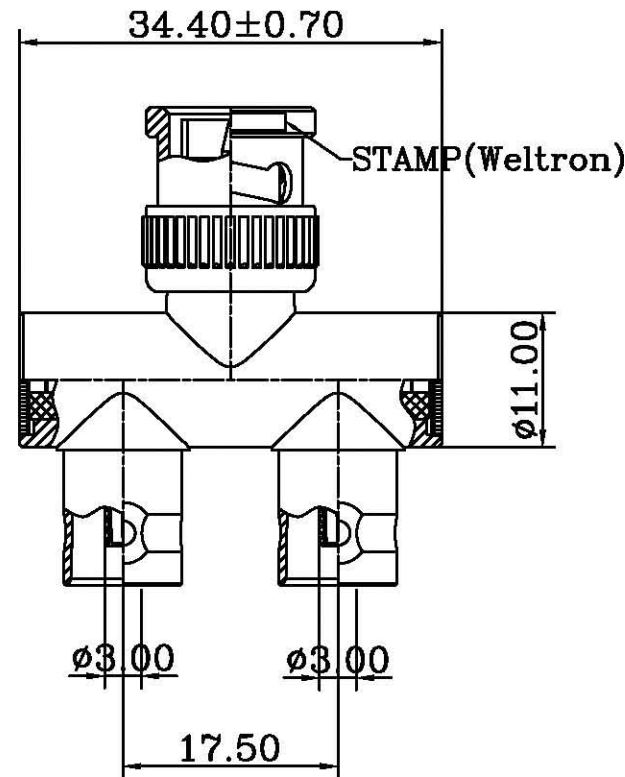
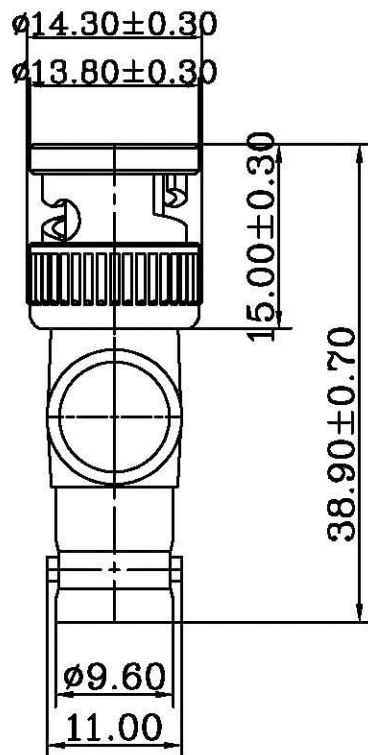


REVISIONS

RevNo	Description	Date	REVISION	Mender
1				



14	INSULATOR	POM	2	NATURAL
13	BODY	ZINC	2	NICKEL PLATED
12	CONTACT PIN	BRASS	2	GOLD PLATED
11	COVER	ZINC	2	NICKEL PLATED
10	INSULATOR	POM	2	NATURAL
9	CENTER CONTACT	BRASS	1	NICKEL PLATED
8	CONTACT PIN	BRASS	1	GOLD PLATED
7	BODY	ZINC	1	NICKEL PLATED
6	WASHER	ZINC	1	NICKEL PLATED
5	SPRING	65Mn	1	NATURAL
4	OUT CONTACT	ZINC	1	NICKEL PLATED
3	GASKET	PVC	1	RED
2	INSULATOR	POM	1	NATURAL
1	SHELL	ZINC	1	NICKEL PLATED
ITEM	DESCRIPTION	MATERIAL	Q'TY	FINISHED

weltron [®]				TITLE BNC ONE MALE TO BNC TWO FEMALE FOR "Y" TYPE, 75 OHM			
PART NO.	44-327Y	UNITS	MM	UNLESS OTHERWISE SPECIFIED TOLERANCES:	DESIGNED	CJ	
		SCALE	FT		15-30 = ±0.30	DRAWING	CJ
MODEL NO.				30-120 = ±0.60	CHECKED	Xwj	
		EDITION	A1	>120 = ±1.00	PUBLISH DATE	APPROVED	Andy
CAD FILE	Yin sheng/Yifaxing/Sb(BNC)/SB171				2019/03/13		3RD ANGLE