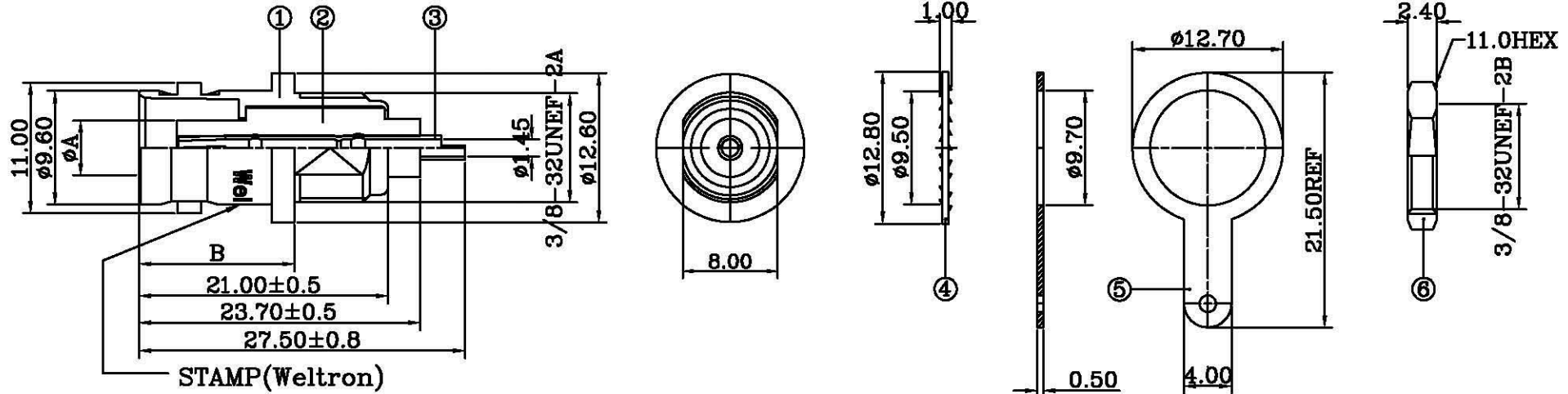


ROHS Compliant

REVISIONS

RevNo	Description	Date	Revision	Mender
1				
2				



NOTES:FINISH (PLATING THICKNESS IN MICRO-INCHES)

- 1.BRASS PER QQ-B-626
- 2.TEFLON MIL-P-19468
- 3.PHOSPHOR BRONZE PER QQ-B-750
- 4.NICKEL PL.100 MIN. THICK OVER COPPER STRIKE
- 5.GOLD PL.3 MIN THICK OVER NICKEL PL.100 MIN. THICK OVER COPPER STRIKE

6	NUT	NOTE1	1	NOTE4
5	WASHER TAIL	NOTE1	1	NOTE4
4	WASHER	NOTE1	1	NOTE4
3	CONTACT PIN	NOTE3	1	NOTE5
2	INSULATOR	NOTE2	1	NATURAL
1	BODY	NOTE1	1	NOTE4
ITEM	DESCRIPTION	MATERIAL	Q'TY	FINISHED

<b>weltron</b> ®				TITLE	
				BNC FEMALE BULKHEAD RECEPTACLE,75 OHMS	
PART NO.	44-245	UNITS	MM	UNLESS OTHERWISE SPECIFIED TOLERANCES: 0.5-15 = ±0.15    ANGLES 15-30 = ±0.30    ±5° 30-120 = ±0.60 >120 = ±1.00	
MODEL NO.		SCALE	FIT		
		EDITION	A1	PUBLISH DATE	APPROVED
CAD FILE		Yin sheng/Yifaxing/SB/SB124		2012/12/06	☐ ⊕ 3RD ANGLE
		DESIGNED	Ckq	DRAWING	Ckq
		CHECKED	David	APPROVED	Andy