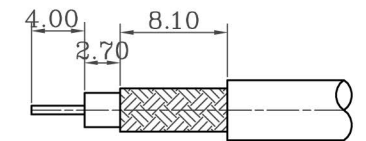
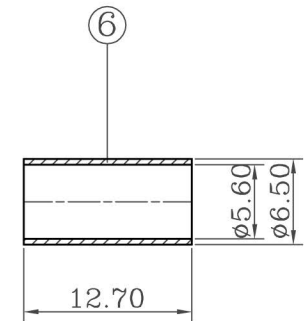
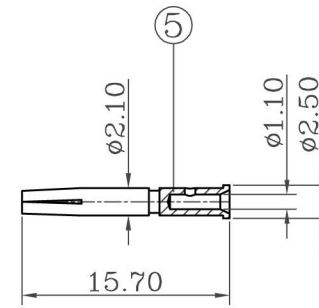
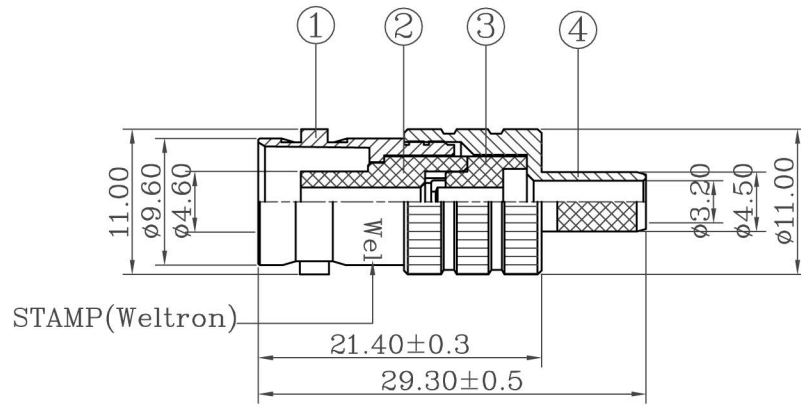


ROHS Compliant

REVISIONS				
RevNo	Description	Date	Revision	Mender
1				
2				



RECOMMENDED  
CABLE STRIPPING DIM'S

NOTES:FINISH (PLATING THICKNESS IN MICRO-INCHES)

- 1.BRASS PER QQ-B-626
- 2.NICKEL PL.100 MIN. THICK OVER COPPER STRIKE
- 3.GOLD PL.3 MIN THICK OVER NICKEL PL.100 MIN. THICK OVER COPPER STRIKE
- 4.JIS H 3250,C 2700

- 1.CRIMPED FERRULE HEX CRIMP SIZE .213"
- 2.CRIMPED CONTACT PIN HEX CRIMP SIZE .068" OR TO SOLDER

6	FERRULE	NOTE 4	1	NOTE 2
5	CONTACT PIN	NOTE 1	1	NOTE 3
4	REAR BODY	NOTE 1	1	NOTE 2
3	INSULATOR	POM	1	WHITE
2	INSULATOR	POM	1	WHITE
1	BODY	NOTE 1	1	NOTE 2
ITEM	DESCRIPTION	MATERIAL	Q'TY	FINISHED

<b>weltron</b> <sup>®</sup>				TITLE BNC FEMALE CRIMP TYPE 50 OHMS FOR RG223U, RG55U, RG142U CABLE	
DRAWING NO.		UNITS	MM	DESIGNED	
MODEL NO.		SCALE	FIT	DRAWING	
PART NO.	44-283-223	EDITION	A1	CHECKED	
CAD FILE		PUBLISH DATE	2011/03/19	APPROVED	
UNLESS OTHERWISE SPECIFIED TOLERANCES:				DESIGNED	
0.5-15 = ±0.15				DRAWING	
15-30 = ±0.30				CHECKED	
30-120 = ±0.60				APPROVED	
>120 = ±1.00				3RD ANGLE	