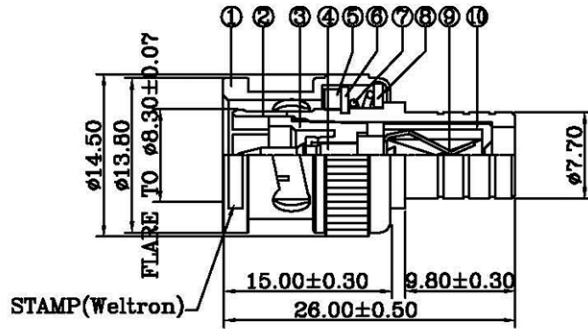


ROHS Compliant



CRIMPED FERRULE HEX CRIMP SIZE .319"

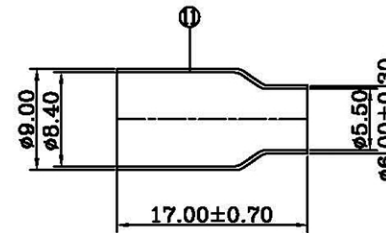
NOTES:FINISH (PLATING THICKNESS IN MICRO-INCHES)

- 1.BRASS PER QQ-B-626
- 2.NICKEL PL.100 MIN. THICK OVER COPPER STRIKE
- 3.GOLD PL.3 MIN THICK OVER NICKEL PL.100 MIN. THICK OVER COPPER STRIKE
- 4.JIS H 3250,C 2700

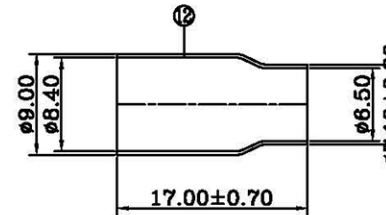
13	FERRULE	NOTE 4	1	NOTE 2
12	FERRULE	NOTE 4	1	NOTE 2
11	FERRULE	NOTE 4	1	NOTE 2
10	INSULATOR	POM	1	NATURAL
9	SPRING CONTACT	P-BRONZE	1	NOTE 3
8	WASHER	IRON	1	NOTE 2
7	SPRING	65Mn	1	NATURAL
6	RETAINER RING	65Mn	1	NOTE 2
5	GASKET	RUBBER	1	RED
4	CONTACT PIN	NOTE 1	1	NOTE 3
3	INSULATOR	POM	1	NATURAL
2	BODY	NOTE 1	1	NOTE 2
1	SHELL	NOTE 1	1	NOTE 2
ITEM	DESCRIPTION	MATERIAL	Q'TY	FINISHED

REVISIONS

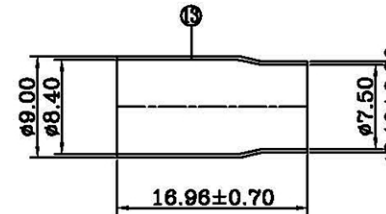
RevNo	Description	Date	Revision	Mender
1				
2				



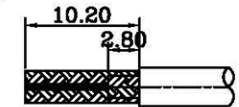
(RG58U, RG59U-PLENUM)



(RG59U)



(RG6U)



RECOMMENDED
CABLE STRIPPING DIM'S

44-285-75-3

weltron®

TITLE

BNC MALE QUICK CRIMP TYPE(50 OHM)
(FOR RG58U, RG59U, RG59U-PLENUM, RG6U)

Date	2012/12/07	UNITS	MM	UNLESS OTHERWISE SPECIFIED TOLERANCES:	DESIGNED	NQ
PART NO.	44-285-75-3	SCALE	FIT		0.5-15 = ±0.15 15-30 = ±0.30 30-120 = ±0.60 >120 = ±1.00	DRAWING
MODEL NO.				ANGLES ±5°	CHECKED	David