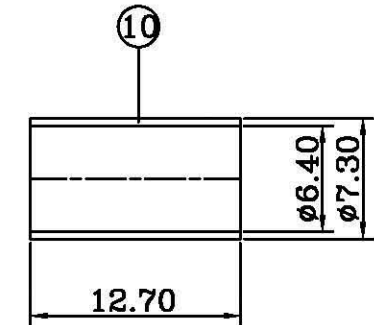
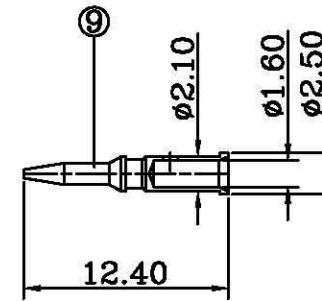
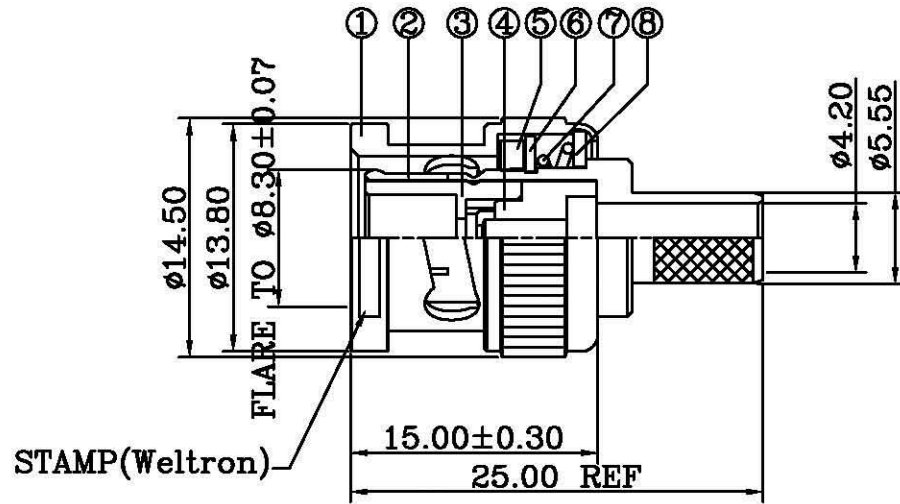


ROHS Compliant

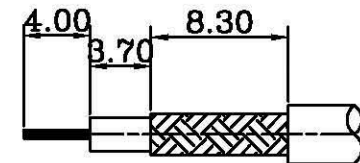
REVISIONS

RevNo	Description	Date	Revision	Mender
1				
2				



NOTES:FINISH (PLATING THICKNESS IN MICRO-INCHES)

- 1.BRASS PER QQ-B-626
- 2.NICKEL PL.100 MIN. THICK OVER COPPER STRIKE
- 3.GOLD PL.3 MIN THICK OVER NICKEL PL.100 MIN. THICK OVER COPPER STRIKE
- 4.JIS H 3250,C 2700



RECOMMENDED
CABLE STRIPPING DIM'S

- 1.CRIMPED FERRULE
HEX CRIMP SIZE .255"
- 2.CRIMPED CONTACT PIN
HEX CRIMP SIZE .068"

10	FERRULE	NOTE 4	1	NOTE 2
9	CONTACT PIN	NOTE 1	1	NOTE 3
8	WASHER	IRON	1	NOTE 2
7	SPRING	65Mn	1	NATURAL
6	RETAINER RING	65Mn	1	NOTE 2
5	GASKET	RUBBER	1	RED
4	INSULATOR	POM	1	NATURAL
3	INSULATOR	POM	1	NATURAL
2	BODY	NOTE 1	1	NOTE 2
1	SHELL	NOTE 1	1	NOTE 2
ITEM	DESCRIPTION	MATERIAL	Q'TY	FINISHED

weltron [®]				TITLE		
				BNC CRIMP PLUG 50 OHMS (FOR LMR240, RG8X CABLE)		
PART NO.	44-290-8X	UNITS	MM	UNLESS OTHERWISE SPECIFIED TOLERANCES:	DESIGNED	NQ
		SCALE	FIT		0.5-15 = ±0.15 15-30 = ±0.30 30-120 = ±0.60 >120 = ±1.00	DRAWING
MODEL NO.				ANGLES ±5°	CHECKED	David
		EDITION	A1	PUBLISH DATE	APPROVED	Andy
CAD FILE	Yin sheng/Yifaxing/SB/SB105			2012/12/07	3RD ANGLE	