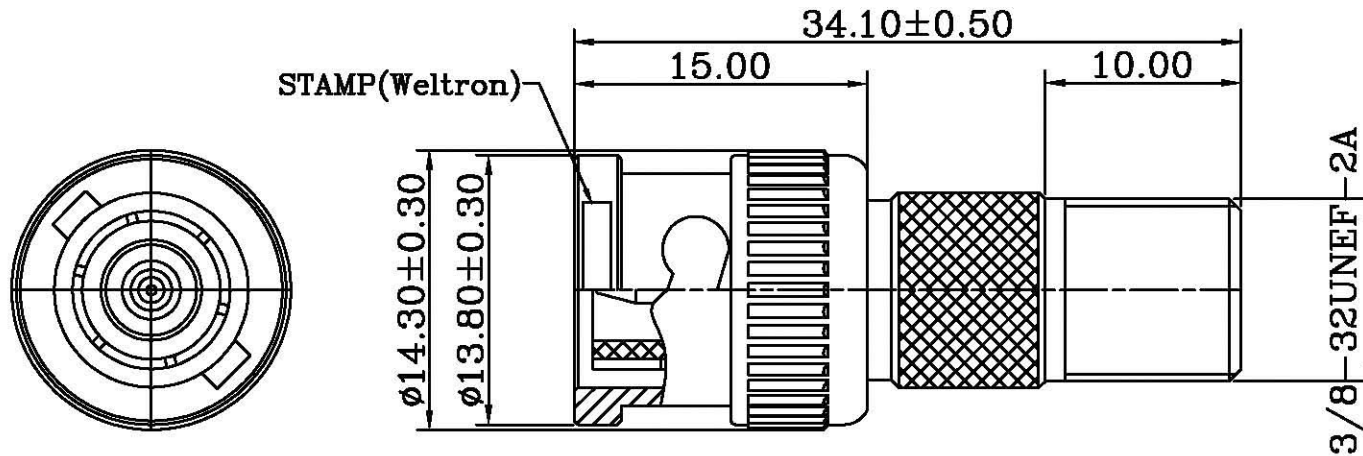


ROHS Compliant

REVISIONS

RevNo	Description	Date	Revision	Mender
1				
2				



10	INSULATOR	POM	1	NATURAL
9	CENTER CONTACT	P-bronze	1	GOLD PLATED
8	CONTACT PIN	BRASS	1	GOLD PLATED
7	WASHER	IRON	1	NICKEL PLATED
6	SPRING	65Mn	1	NATURAL
5	OUT CONTACT	ZINC	1	NICKEL PLATED
4	GASKET	PVC	1	RED
3	INSULATOR	POM	1	NATURAL
2	BODY	ZINC	1	NICKEL PLATED
1	SHELL	ZINC	1	NICKEL PLATED
ITEM	DESCRIPTION	MATERIAL	Q'TY	FINISHED

<b>weltron</b> <sup>®</sup>				TITLE		
PART NO.		44-328		BNC MALE TO F FEMALE, 50 OHM		
MODEL NO.		UNITS	MM	UNLESS OTHERWISE SPECIFIED TOLERANCES:	DESIGNED	<i>CJ</i>
		SCALE	FIT		0.5-15 = ±0.15	DRAWING
		EDITION		A1	CHECKED	<i>David</i>
CAD FILE		Yin sheng/Yifaxing/SB/SB147		PUBLISH DATE	APPROVED	<i>Andy</i>
				2016/01/19	3RD ANGLE	