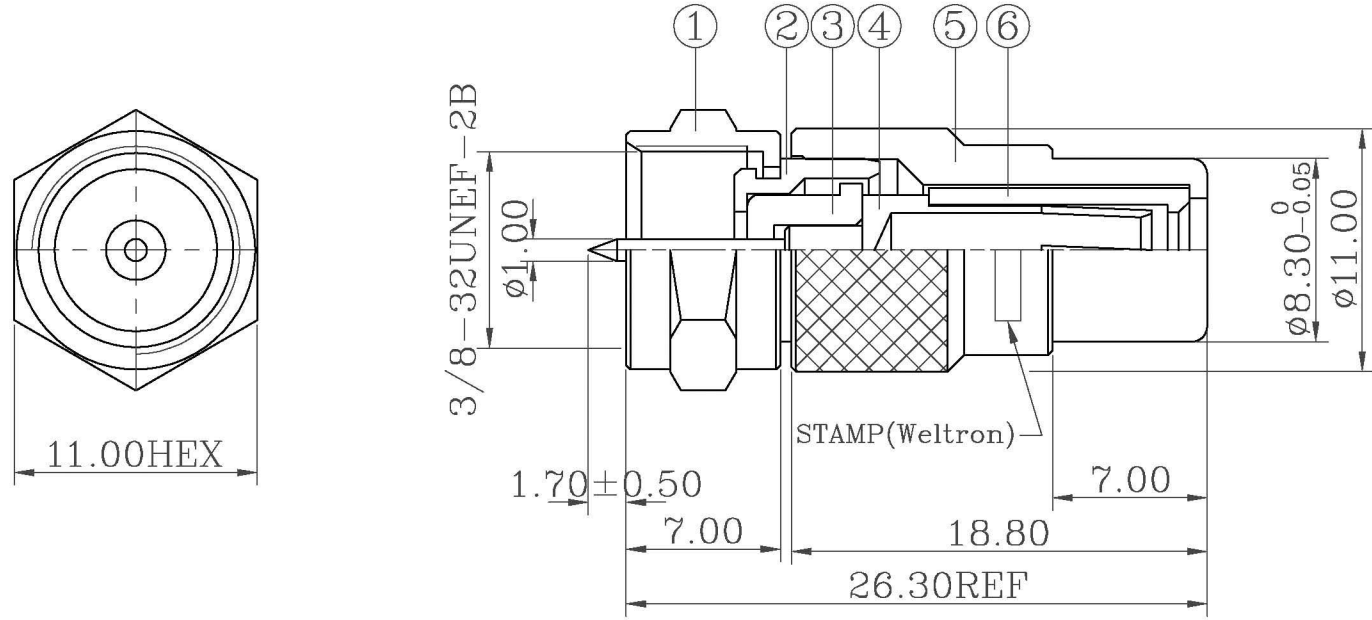


ROHS Compliant

REVISIONS

RevNo	Description	Date	Revision	Mender
1				
2				



NOTES:FINISH(PLATING THICKNESS IN MICRO-INCHES)  
 1.BRASS PER QQ-B-626  
 2.NICKEL PL.100 MIN. THICK OVER COPPER STRIKE

44-298

6	INSULATOR	POM	1	NATURAL
5	BODY	NOTE 1	1	NOTE 2
4	CONTACT PIN	NOTE 1	1	NOTE 2
3	INSULATOR	POM	1	NATURAL
2	HOUSING	NOTE 1	1	NOTE 2
1	SHELL	NOTE 1	1	NOTE 2
ITEM	DESCRIPTION	MATERIAL	Q'TY	FINISHED

<b>weltron</b> ®				TITLE F MALE TO RCA FEMALE		
PART NO.	44-298	UNITS	MM	UNLESS OTHERWISE SPECIFIED TOLERANCES: 0.5-15 = ±0.15    ANGLES ±5° 15-30 = ±0.30 30-120 = ±0.80 >120 = ±1.00	DESIGNED	NQ
MODEL NO.		SCALE	FIT		DRAWING	NQ
		EDITION	A1	PUBLISH DATE	APPROVED	Andy
CAD FILE				2009/12/31	3RD ANGLE	