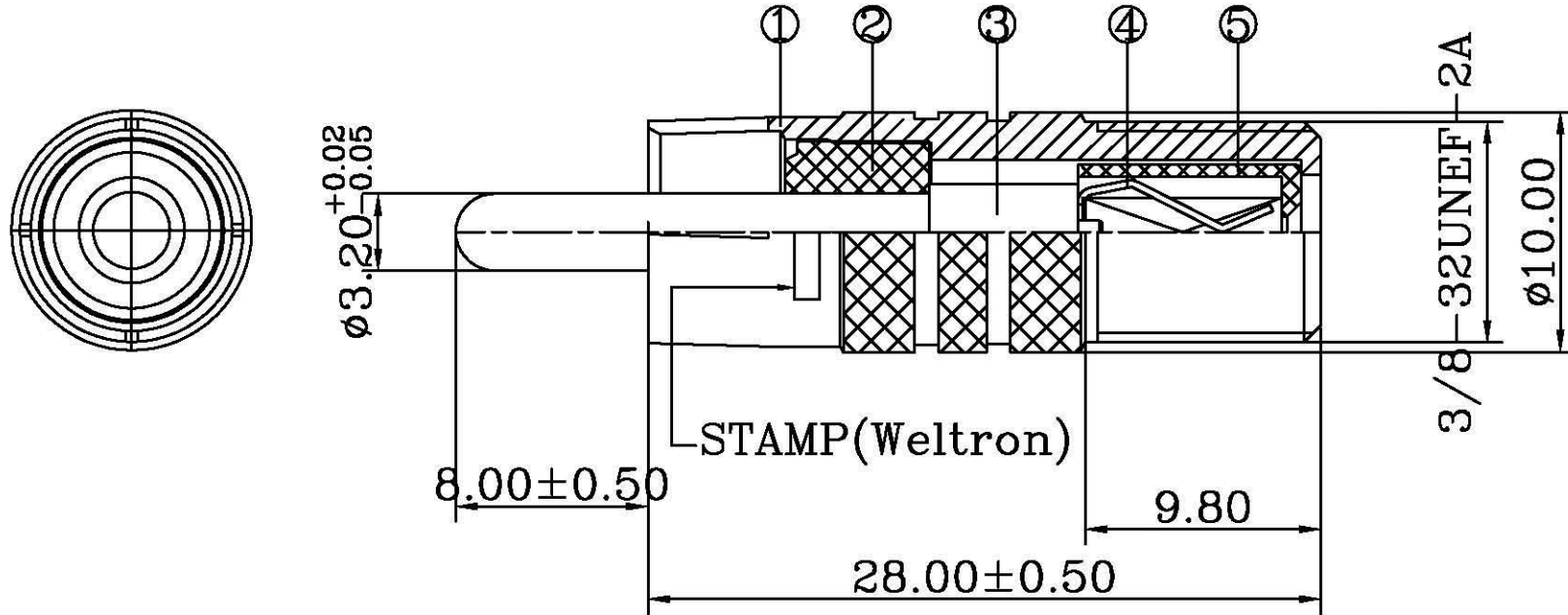


ROHS Compliant

REVISIONS

RevNo	Description	Date	Revision	Mender
1				
2				



NOTES:FINISH (PLATING THICKNESS IN MICRO-INCHES)
 1.GOLD PL.3 MIN THICK OVER NICKEL PL.100 MIN.
 THICK OVER COPPER STRIKE

5	INSULATOR	PP	1	NATURAL
4	CENTER CONTACT	P-BRONZE	1	GOLD PLATED
3	CONTACT PIN	BRASS	1	GOLD PLATED
2	INSULATOR	POM	1	NATURAL
1	BODY	BRASS	1	NICKEL PLATED
ITEM	DESCRIPTION	MATERIAL	Q'TY	FINISHED

weltron ®				TITLE			
PART NO.		44-330		UNITS		MM	
MODEL NO.		C-50		SCALE		FIT	
UNLESS OTHERWISE SPECIFIED TOLERANCES:				DESIGNED		<i>Bzw</i>	
0.5-15 = ±0.15				DRAWING		<i>Bzw</i>	
15-30 = ±0.30				CHECKED		<i>David</i>	
30-120 = ±0.60				APPROVED		<i>Andy</i>	
>120 = ±1.00				PUBLISH DATE		2012/12/06	
EDITION				A1		3RD ANGLE	
CAD FILE				Yin sheng/Yifaxing/SR/SR1004			