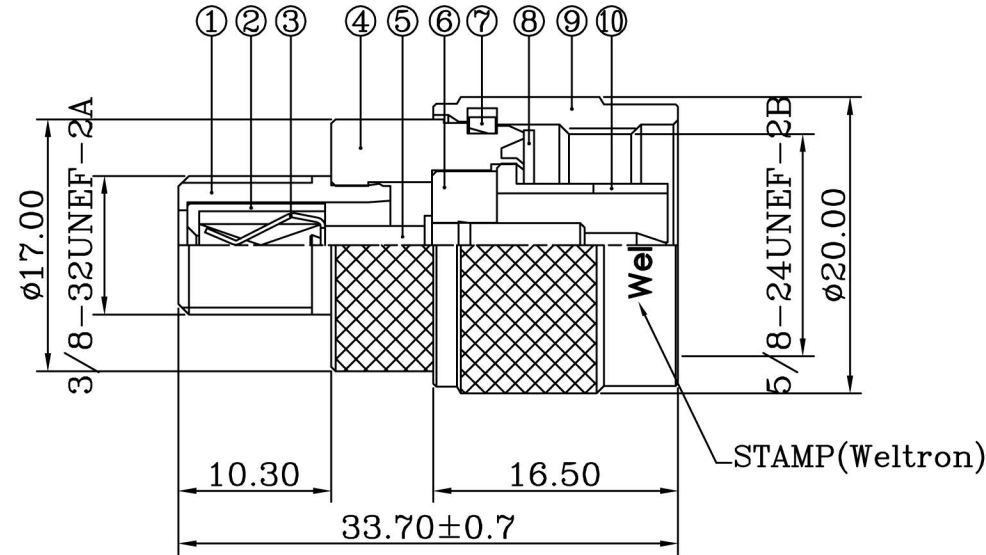


ROHS Compliant

REVISIONS

RevNo	Description	Date	Revision	Mender
1				
2				



NOTES:FINISH (PLATING THICKNESS IN MICRO-INCHES)

- 1.BRASS PER QQ-B-626
- 2.PHOSPHOR BRONZE PER QQ-B-750
- 3.TEFLON MIL-P-19468
- 4.NICKEL PL.100 MIN. THICK OVER COPPER STRIKE
- 5.GOLD PL.3 MIN THICK OVER NICKEL PL.100 MIN. THICK OVER COPPER STRIKE

10	CONTACT BODY	NOTE1	1	NOTE4
9	SHELL	NOTE1	1	NOTE4
8	GASKET	RUBBER	1	RED
7	RETAINER RING	NOTE1	1	NATURAL
6	INSULATOR	NOTE3	1	WHITE
5	CENTER PIN	NOTE1	1	NOTE5
4	BODY	NOTE1	1	NOTE4
3	CONTACT PIN	NOTE2	1	NOTE5
2	INSULATOR	POM	1	WHITE
1	FRONT BODY	NOTE1	1	NOTE4
ITEM	DESCRIPTION	MATERIAL	Q'TY	FINISHED

weltron ®				TITLE N MALE TO F FEMALE		
PART NO.	44-256	UNITS	MM	UNLESS OTHERWISE SPECIFIED TOLERANCES: 0.5-15 = ±0.15 15-30 = ±0.30 30-120 = ±0.60 >120 = ±1.00	DESIGNED	<i>Ckq</i>
		SCALE	FIT		DRAWING	<i>Ckq</i>
MODEL NO.				ANGLES ±5°	CHECKED	<i>David</i>
		EDITION	A1	PUBLISH DATE	APPROVED	<i>Andy</i>
CAD FILE	Yin sheng/Yifaxing/SN/SN323			2012/12/08	☐ ⊕ 3RD ANGLE	