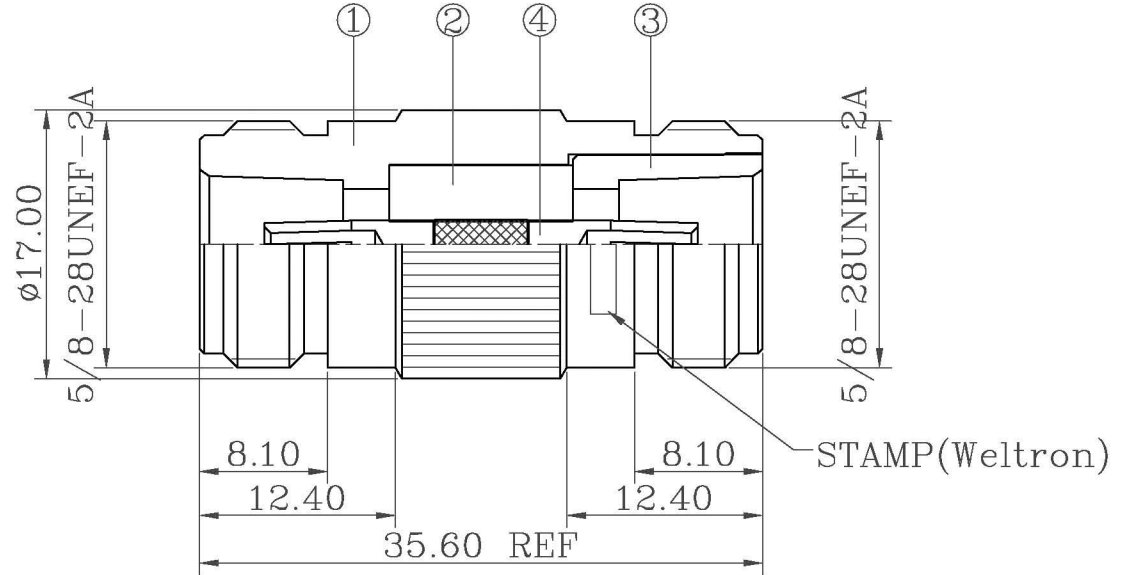
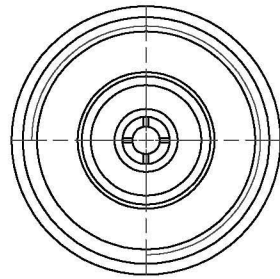


REVISIONS				
RevNo	Description	Date	Revision	Mender
1				
2				

ROHS Compliant



NOTES:FINISH (PLATING THICKNESS IN MICRO-INCHES)

- 1.BRASS PER QQ-B-626
- 2.NICKEL PL.100 MIN. THICK OVER COPPER STRIKE
- 3.GOLD PL.3 MIN .THICK OVER NICKEL PL. 100 MIN. THICK OVER COPPER STRIKE
- 4.TEFLON MIL-P-19468

4	CONTACT PIN	NOTE 1	1	NOTE 3
3	BARREL	NOTE 1	1	NOTE 2
2	INSULATOR	NOTE 4	1	NATURAL
1	BODY	NOTE 1	1	NOTE 2
ITEM	DESCRIPTION	MATERIAL	Q'TY	FINISHED

<b>Weltron®</b>				TITLE		
				N JACK TO N JACK ADAPTER, 50 OHM		
PART NO.	44-264	UNITS	MM	UNLESS OTHERWISE SPECIFIED TOLERANCES:	DESIGNED	<i>Xwj</i>
		SCALE	FIT		0.5-15 = ±0.15	DRAWING
MODEL NO.				15-30 = ±0.30	CHECKED	<i>David</i>
		EDITION	A1	30-120 = ±0.80	APPROVED	<i>Andy</i>
				>120 = ±1.00		
CAD FILE				PUBLISH DATE	2009/12/31	
					3RD ANGLE	