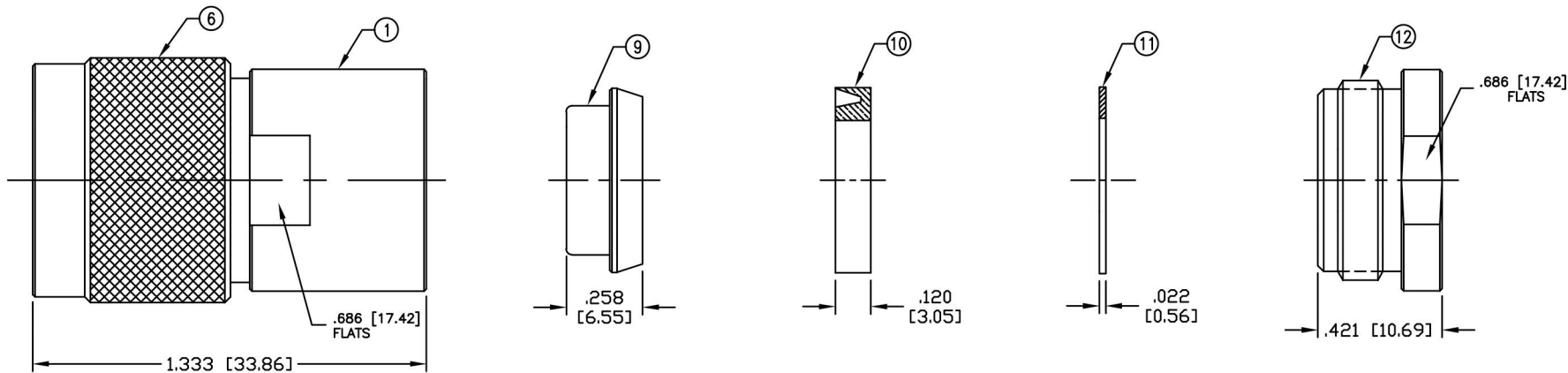


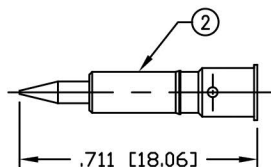
ALL DIMENSIONS ARE REFERENCE ONLY

REV	DESCRIPTION	DWN	DATE	APPROVED
E	CREATE SHELL AN BODY SECTION VIEW / CHG MISC DIMS	KMM	2/21/96	R. RICE
F	STANDARDIZE SHELL / CHG BODY & DIE DIMS & STRIP INST	CZS	7/28/99	R. RICE
G	CHANGE FORMAT, SPECS & DWG # 8002	GGG	3/1/02	JDMc
H	ADDED SOLDER ONLY NOTE & UPDATED SPECS	CZS	8/8/06	JDMc

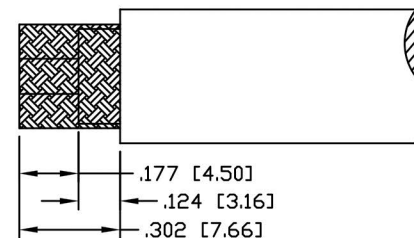


**SPECIFICATIONS:**

IMPEDANCE: 50 Ohms  
 FREQUENCY RANGE: 0-11 GHz  
 VSWR: 1.3:1 @ 9 GHz  
 INSERTION LOSS: .06 dB Max. X  $\sqrt{f\text{GHz}}$   
 WORKING VOLTAGE: 1k V rms @ sea level  
 TEMPERATURE RANGE: -65°C TO 85°C  
 INSULATION RESISTANCE: 5k M Ohms min.



RECOMMENDED CRIMP DIE: .118" or .128"  
 "SOLDER ONLY" FOR RG-8/U TYPE CABLE



RECOMMENDED STRIPPING STRUCTIONS

1	BODY	1	BRASS	SILVER, 80μ"	000486	UNLESS OTHERWISE SPECIFIED:
2	PIN	1	BRASS	GOLD, 3μ"		
3	DIELECTRIC	1	PTFE	---		
4	GROUND RING	1	BRASS	SILVER, 80μ"		
5	GASKET	1	RUBBER	---		
6	RETAINING RING	1	SK-5	---		
7	SHELL	1	BRASS	SILVER, 80μ"		
8	PRESS FIT WASHER	1	BRASS	SILVER, 80μ"		
9	CLAMP	1	BRASS	SILVER, 80μ"		
10	GASKET	1	RUBBER	---		
11	WASHER	1	BRASS	SILVER, 80μ"		
12	BACK NUT	1	BRASS	SILVER, 80μ"		
13						
14						
#	DESCRIPTION	QTY	MATRL	FINISH	APPROVALS	DATE

DRAWN C. ZUNIGA		8/8/06
CHECKED		
ORJ DRAWN C. JONES		3/20/92

PART NO. :			
44-260-LMR400			
N-TYPE MALE CLAMP CONNECTOR			
FOR LMR-400, RG-8/U & BELDEN 9913 CABLE			
SIZE A	CABLE GROUP I	DWG NO.	REV H
SCALE: NTS		CAD FILE OUTLINE	SHEET 1 OF 1

DIMENSIONS ARE IN INCHES AND [MILLIMETERS]  
 UNLESS OTHERWISE NOTED TOLERANCES ARE:  
 DECIMALS      DIAMETER