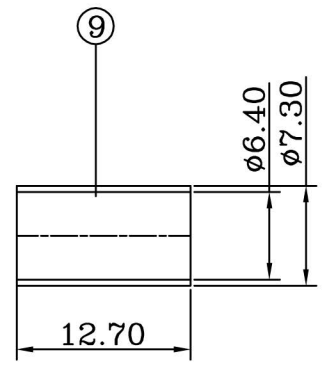
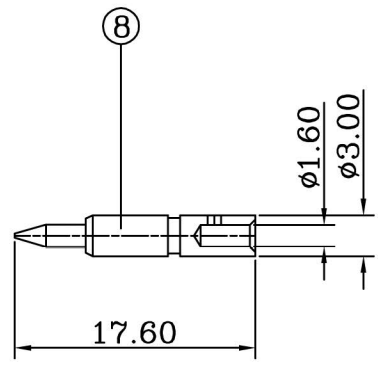
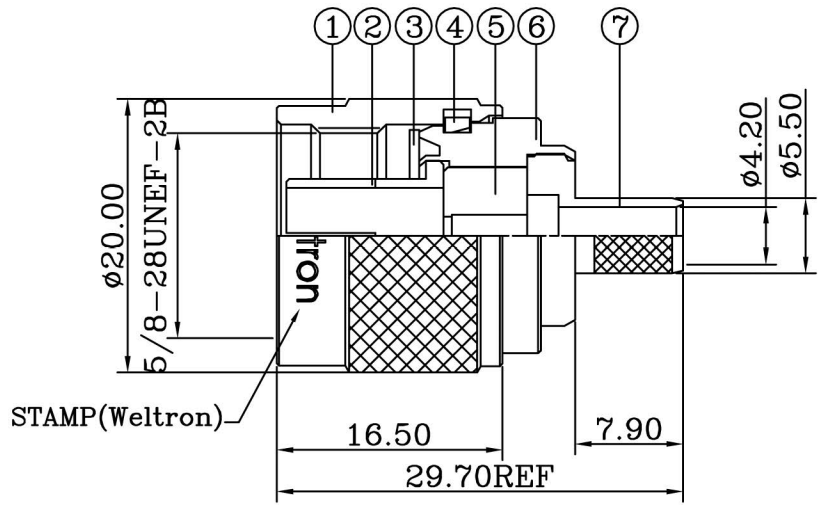


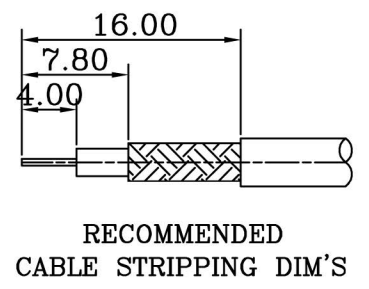
ROHS Compliant

REVISIONS				
RevNo	Description	Date	Revision	Mender
1				
2				



- NOTES:FINISH (PLATING THICKNESS IN MICRO-INCHES)
- 1.BRASS PER QQ-B-626
 - 2.SILVER PL.100 MIN. THICK OVER COPPER STRIKE
 - 3.GOLD PL.3 MIN .THICK OVER NICKEL PL.100 MIN. THICK OVER COPPER STRIKE
 - 4.TEFLON MIL-P-19468
 - 5.JIS H 3250,C 2700

- 1.CRIMPED FERRULE
HEX CRIMP SIZE .255"
- 2.CRIMPED CONTACT PIN
HEX CRIMP SIZE .100"
OR TO SOLDER



9	FERRULE	NOTE 5	1	NOTE 2
8	CONTACT PIN	NOTE 1	1	NOTE 3
7	REAR BODY	NOTE 1	1	NOTE 2
6	BODY	NOTE 1	1	NOTE 2
5	INSULATOR	NOTE 4	1	WHITE
4	RETAINER RING	NOTE 1	1	NATURAL
3	GASKET	RUBBER	1	RED
2	OUT CONTACT	NOTE 1	1	NOTE 2
1	SHELL	NOTE 1	1	NOTE 2
ITEM	DESCRIPTION	MATERIAL	Q'TY	FINISHED

weltron [®]				TITLE N PLUG CRIMP 50 OHM FOR RG8X,LMR240,Beden9258 CABLE		
PART NO.	44-262-8X	UNITS	MM	UNLESS OTHERWISE SPECIFIED TOLERANCES: 0.5-15 = ±0.15 ANGLES ±5° 15-30 = ±0.30 30-120 = ±0.60 >120 = ±1.00	DESIGNED	Ckq
MODEL NO.		SCALE	FIT		DRAWING	Ckq
		EDITION	A1	PUBLISH DATE	APPROVED	Andy
				2012/12/08	☐ ⊕ 3RD ANGLE	