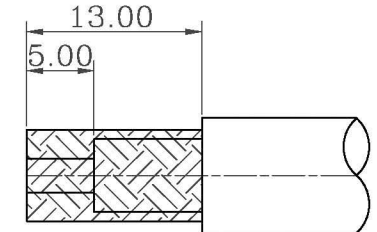
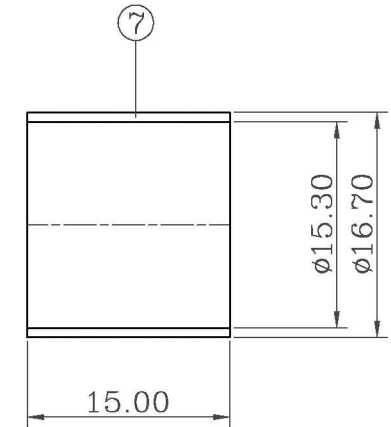
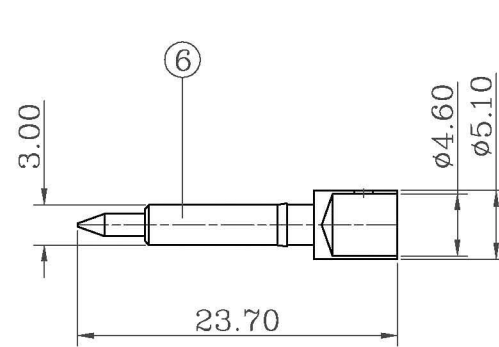
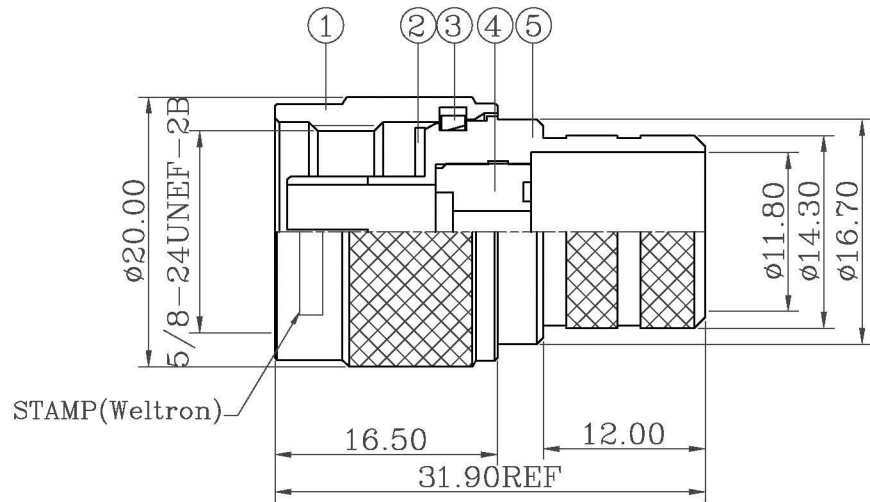


ROHS Compliant

REVISIONS

RevNo	Description	Date	Revision	Mender
1				
2				



NOTES:FINISH (PLATING THICKNESS IN MICRO-INCHES)

- 1.BRASS PER QQ-B-626
- 2.SILVER PL.100 MIN. THICK OVER COPPER STRIKE
- 3.GOLD PL.3 MIN .THICK OVER NICKEL PL.100 MIN. THICK OVER COPPER STRIKE
- 4.TEFLON MIL-P-19468
- 5.JIS H 3250,C 2700

- 1.CRIMPED FERRULE
HEX CRIMP SIZE .570"
- 2.CRIMPED CONTACT PIN
HEX CRIMP SIZE .178"
OR TO SOLDER

RECOMMENDED
CABLE STRIPPING DIM'S

7	FERRULE	NOTE 5	1	NOTE 2
6	CONTACT PIN	NOTE 1	1	NOTE 3
5	BODY	NOTE 1	1	NOTE 2
4	INSULATOR	NOTE 4	1	NATURAL
3	RETAINER RING	NOTE 1	1	NATURAL
2	GASKET	RUBBER	1	RED
1	SHELL	NOTE 1	1	NOTE 2
ITEM	DESCRIPTION	MATERIAL	Q'TY	FINISHED

weltron [®]				TITLE N PLUG CRIMP 50 OHM FOR LMR600 CABLE			
				PART NO.	44-262-LMR600	UNITS	MM
		SCALE	FIT		DRAWING	NQ	
MODEL NO.		EDITION	A1	PUBLISH DATE	APPROVED	Andy	
CAD FILE				2010/01/03	3RD ANGLE		