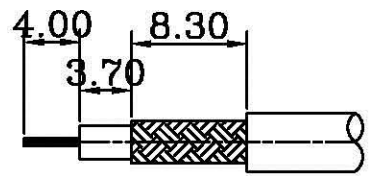
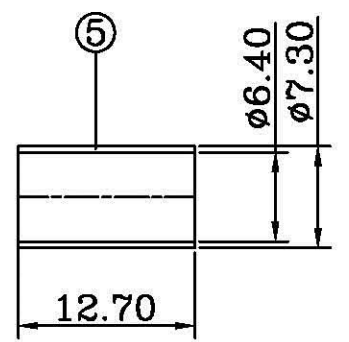
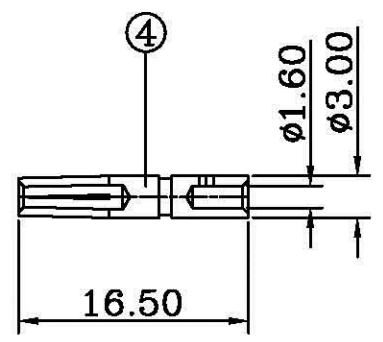
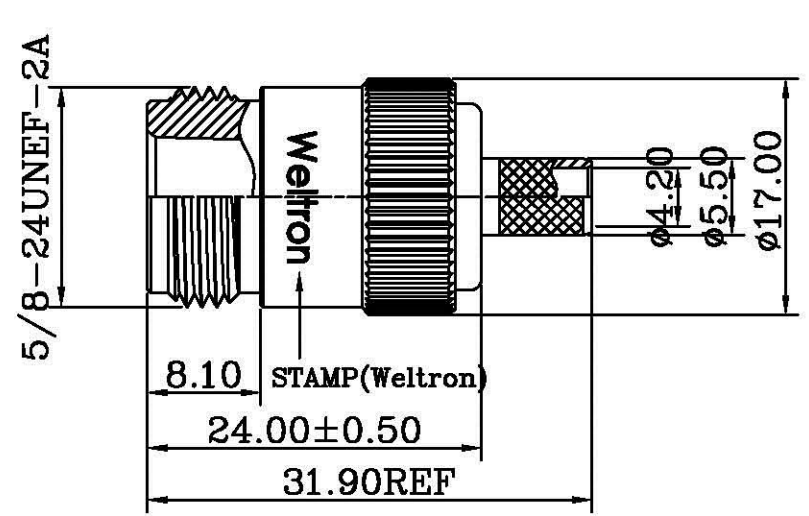


ROHS Compliant

REVISIONS				
RevNo	Description	Date	Revision	Mender
1				
2				



RECOMMENDED  
CABLE STRIPPING DIM'S

- 1. CRIMPED FERRULE HEX CRIMP SIZE .255"
- 2. CRIMPED CONTACT PIN HEX CRIMP SIZE .100"
- OR TO SOLDER

ITEM	DESCRIPTION	MATERIAL	Q'TY	FINISHED
5	FERRULE	BRASS	1	COPPER-TIN-ZINC PLATED
4	CONTACT PIN	BRASS	1	GOLD PLATED
3	REAR BODY	BRASS	1	COPPER-TIN-ZINC PLATED
2	INSULATOR	TEFLON	1	NATURAL
1	BODY	BRASS	1	COPPER-TIN-ZINC PLATED

<h1>Weltron®</h1>				TITLE N JACK CRIMP, 50 OHM FOR RG8X, LMR240, Beden9258 CABLE			
PART NO.	44-263-8X	UNITS	MM	UNLESS OTHERWISE SPECIFIED TOLERANCES:	DESIGNED	CJ	
		SCALE	FT			DRAWING	CJ
MODEL NO.		EDITION	A1	0.5-15 = ±0.15    ANGLES ±5° 15-30 = ±0.30 30-120 = ±0.60 >120 = ±1.00	CHECKED	David	
CAD FILE	Yin sheng/Yifaxing/Sn(N)/SN340	PUBLISH DATE	2019/07/31		APPROVED	Andy	
						☐ ⊕ 3RD ANGLE	