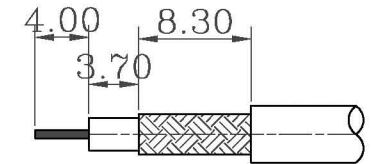
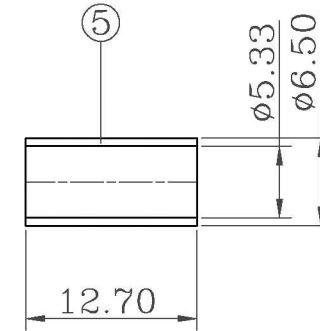
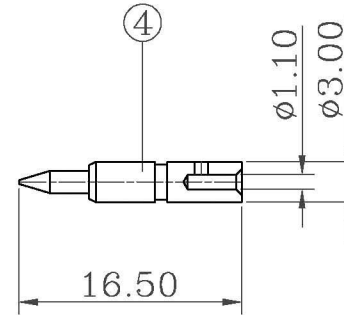
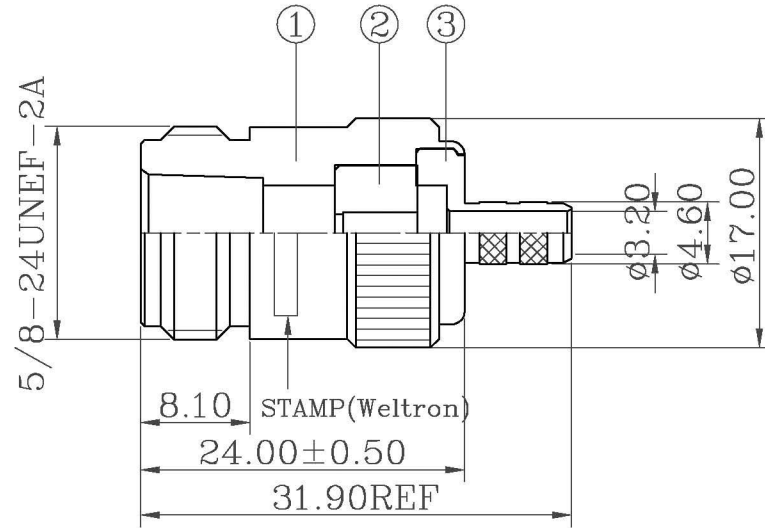


ROHS Compliant

REVISIONS

RevNo	Description	Date	Revision	Mender
1				
2				



RECOMMENDED
CABLE STRIPPING DIM'S

NOTES:FINISH (PLATING THICKNESS IN MICRO-INCHES)

- 1.BRASS PER QQ-B-626
- 2.SILVER PL.100 MIN. THICK OVER COPPER STRIKE
- 3.GOLD PL.3 MIN .THICK OVER NICKEL PL.100 MIN. THICK OVER COPPER STRIKE
- 4.TEFLON MIL-P-19468
- 5.JIS H 3250,C 2700

- 1.CRIMPED FERRULE HEX CRIMP SIZE .213"
2. CRIMPED CONTACT PIN HEX CRIMP SIZE .100"

5	FERRULE	NOTE 5	1	NOTE 2
4	CONTACT PIN	NOTE 1	1	NOTE 3
3	REAR BODY	NOTE 1	1	NOTE 2
2	INSULATOR	NOTE 4	1	NATURAL
1	BODY	NOTE 1	1	NOTE 2
ITEM	DESCRIPTION	MATERIAL	Q'TY	FINISHED

Weltron®				TITLE		
PART NO.		44-263RP-58	UNITS	MM	RP N CRIMP JACK CRIMP, 50 OHM FOR RG-58,141U,BELDEN8219	
MODEL NO.			SCALE	FIT	UNLESS OTHERWISE SPECIFIED TOLERANCES:	
CAD FILE			EDITION	A1	0.5-15 = ±0.15	ANGLES ±5°
					15-30 = ±0.30	
					30-120 = ±0.60	
					>120 = ±1.00	
					PUBLISH DATE	APPROVED
					2010/01/03	Andy
						3RD ANGLE