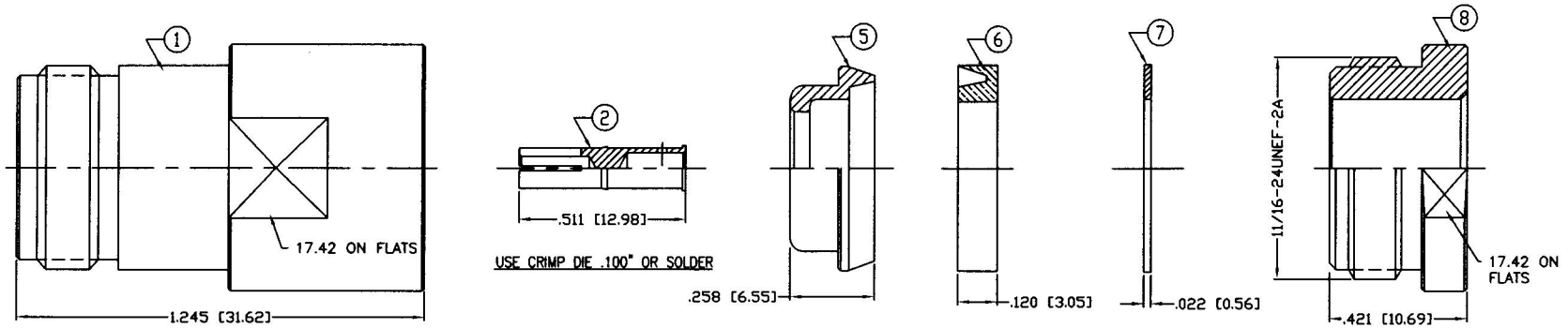


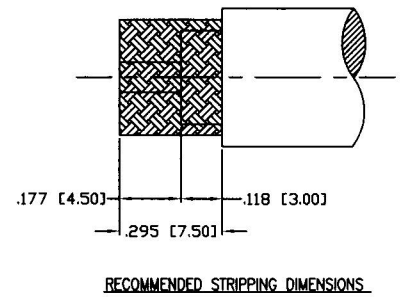
ALL DIMENSIONS ARE REFERENCE ONLY

PART NO.				
REV	DESCRIPTION	DWN	DATE	APPROVED
A	ENGINEERING RELEASE	CZS	6/26/98	R. RICE
B	UPDATE DWG. DIMS & SPECS / CHG. DWG. # FROM 7582	GGG	8/8/03	JDMc



**SPECIFICATIONS:**

IMPEDANCE: 50 Ohms  
 FREQUENCY RANGE: 0-11 GHz  
 VSWR: 1.3 Max.  
 INSERTION LOSS: .06 dB Max. X  $\sqrt{f}$  GHz  
 WORKING VOLTAGE: 1k V rms @ sea level  
 TEMPERATURE RANGE: -65°C TO 85°C  
 INSULATION RESISTANCE: 5k M Ohms min.  
 FOR RG-213 CABLE



1	BODY	1	BRASS	SILVER, 80μ"	000486	
2	INSULATOR	1	PTFE	---		
3	PRESS BODY	1	BRASS	SILVER, 80μ"		
4	CONTACT	1	PHOS BRONZE	GOLD, 3μ"		
5	CLAMP	1	BRASS	SILVER, 80μ"		
6	GASKET	1	SILICONE	---		
7	WASHER	1	BRASS	SILVER, 80μ"		
8	HEX CLAMP	1	BRASS	SILVER, 80μ"		
9						
10					DRAWN	
11					CHECKED <i>JDM</i> 8/27/03	
12						
13					ORJ DRAWN	
14					C. ZUNIGA 6/26/98	
#	DESCRIPTION	QTY	MATERIAL	FINISH	APPROVALS	DATE

UNLESS OTHERWISE SPECIFIED:

- REMOVE ALL BURRS
- BREAK ALL CORNERS & EDGES .005 R. MAX.
- CHAMFER 1ST & LAST THREADS 45°
- SURFACE ROUGHNESS 63 FINISH MIL-STD-10
- DIAMETERS ON COMMON CENTERS TO BE CONCENTRIC WITHIN .002 T.I.R.
- ALL DIMENSIONS ARE AFTER PLATING.

DIMENSIONS ARE IN INCHES AND [MILLIMETERS]

UNLESS OTHERWISE NOTED TOLERANCES ARE:

DECIMALS	DIAMETER
.xxx±.003 [.08]	.xxx±.001 [.03]
.xx±.005 [.13]	.xx±.003 [.08]

# Weltron®

## N JACK CLAMP

SIZE	CABLE GROUP	PART NO.:	REV
A	E	44-268	B
SCALE: NTS		CAD FILE OUTLINE	SHEET 1 OF 1