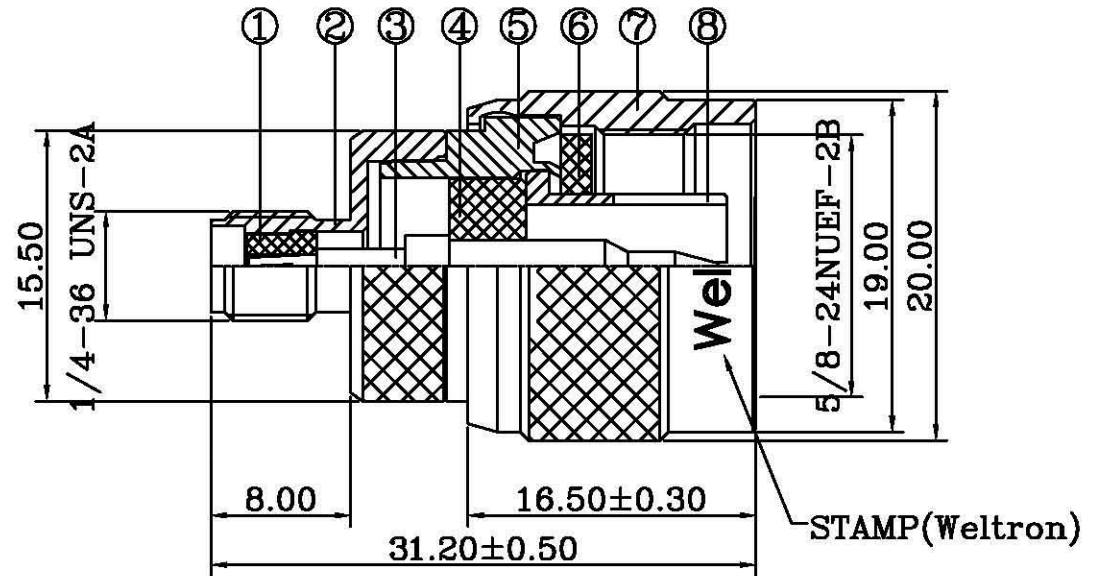
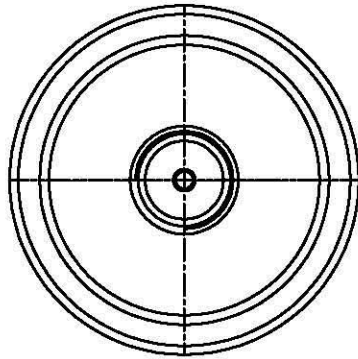


ROHS Compliant

REVISIONS

RevNo	Description	Date	Revision	Mender
1				
2				



NOTES:FINISH (PLATING THICKNESS IN MICRO-INCHES)
 1.GOLD PL.3 MIN THICK OVER NICKEL PL.100 MIN.
 THICK OVER COPPER STRIKE

8	OUT CONTACT	BRASS	1	NICKEL PLATED
7	SHELL	BRASS	1	NICKEL PLATED
6	GASKET	RUBBER	1	RED
5	HOUSING	BRASS	1	NICKEL PLATED
4	INSULATOR	TEFLON	1	WHITE
3	CONTACT PIN	Be,Cu	1	GOLD PLATED
2	BODY	BRASS	1	NICKEL PLATED
1	INSULATOR	TEFLON	1	WHITE
ITEM	DESCRIPTION	MATERIAL	Q'TY	FINISHED

weltron®				TITLE			
PART NO.		44-917A		UNITS	MM	SMA JACK TO N PLUG,50ohm	
MODEL NO.		SA1117-W-DNTR030-50		SCALE	FIT	UNLESS OTHERWISE SPECIFIED TOLERANCES:	
CAD FILE		Yin sheng/Yifaxing/SMA/SSA1117		EDITION	A1	DESIGNED <i>Bzw</i>	
						DRAWING <i>Bzw</i>	
						CHECKED <i>David</i>	
						APPROVED <i>Andy</i>	
				PUBLISH DATE		2012/12/08	
						3RD ANGLE	