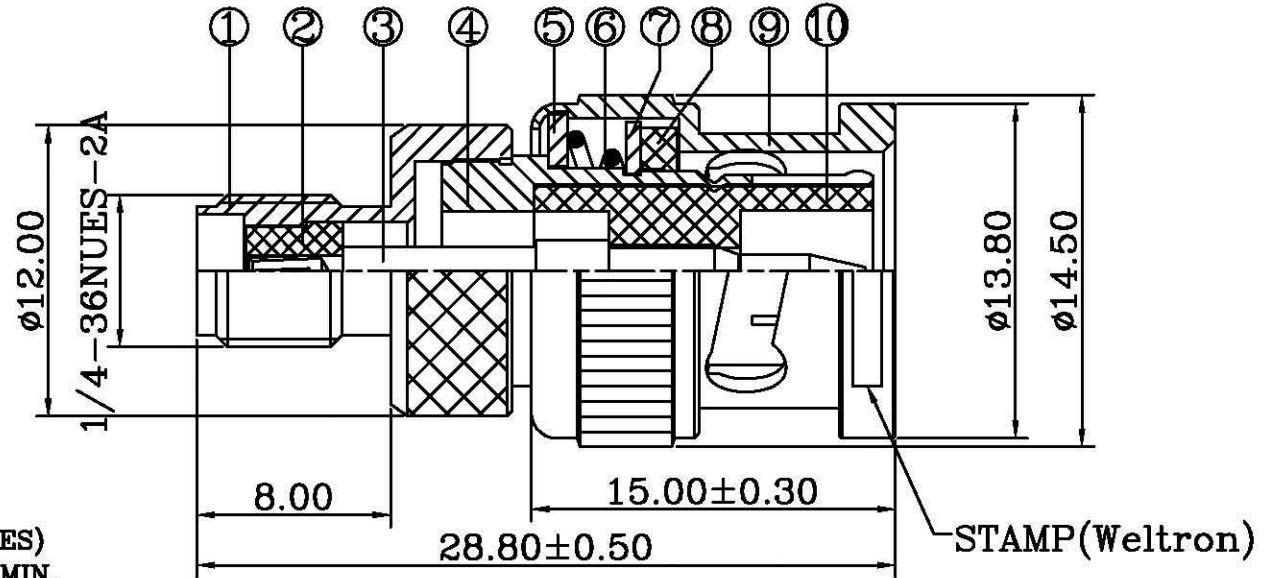
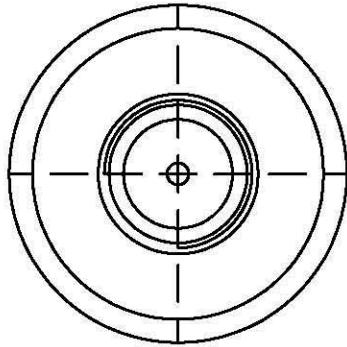


ROHS Compliant

REVISIONS

RevNo	Description	Date	Revision	Mender
1				
2				



NOTES: FINISH (PLATING THICKNESS IN MICRO-INCHES)
 1. GOLD PL.3 MIN THICK OVER NICKEL PL.100 MIN.
 THICK OVER COPPER STRIKE

10	INSULATOR	TEFLON	1	WHITE
9	SHELL	BRASS	1	NICKEL PLATED
8	GASKET	RUBBER	1	RED
7	RETAINER RING	65Mn	1	NICKEL PLATED
6	SPRING	65Mn	1	NATURAL
5	WASHER	IRON	1	NICKEL PLATED
4	HOUSING	BRASS	1	NICKEL PLATED
3	CONTACT PIN	Be,Cu	1	GOLD PLATED
2	INSULATOR	TEFLON	1	WHITE
1	BODY	BRASS	1	NICKEL PLATED
ITEM	DESCRIPTION	MATERIAL	Q'TY	FINISHED

weltron [®]				TITLE		
				SMA JACK TO BNC PLUG, 50 ohm		
PART NO.	44-918	UNITS	MM	UNLESS OTHERWISE SPECIFIED TOLERANCES: 0.5-15 = ±0.15 ANGLES ±5° 15-30 = ±0.30 30-120 = ±0.60 >120 = ±1.00	DESIGNED	<i>Bzw</i>
MODEL NO.		SCALE	FIT		DRAWING	<i>Bzw</i>
	EDITION	A1	PUBLISH DATE		CHECKED	<i>David</i>
CAD FILE	Yin sheng/Yifaxing/SMA/SSA1121		2012/12/08		APPROVED	<i>Andy</i>
				3RD ANGLE		