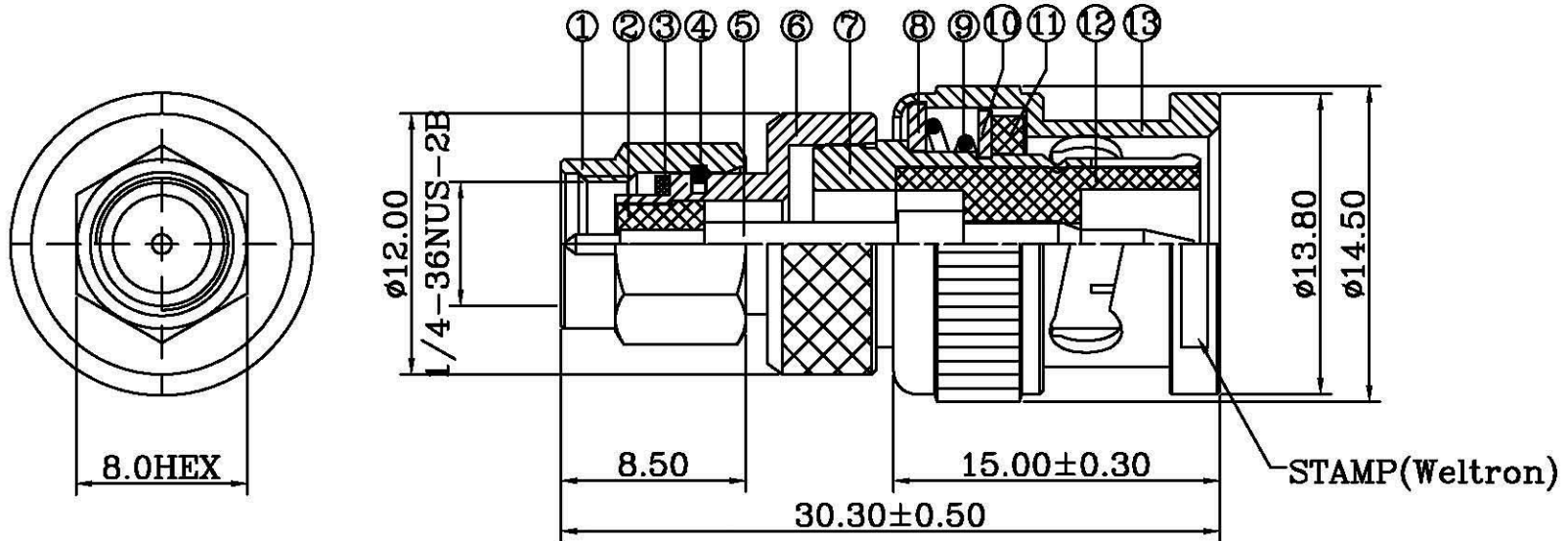


ROHS Compliant

REVISIONS

| RevNo | Description | Date | Revision | Mender |
|-------|-------------|------|----------|--------|
| 1     |             |      |          |        |
| 2     |             |      |          |        |



|      |               |          |      |               |
|------|---------------|----------|------|---------------|
| 13   | SHELL         | BRASS    | 1    | NICKEL PLATED |
| 12   | INSULATOR     | TEFLON   | 1    | WHITE         |
| 11   | GASKET        | RUBBER   | 1    | RED           |
| 10   | RETAINER RING | 65Mn     | 1    | NICKEL PLATED |
| 9    | SPRING        | 65Mn     | 1    | NATURAL       |
| 8    | WASHER        | IRON     | 1    | NICKEL PLATED |
| 7    | HOUSING       | BRASS    | 1    | NICKEL PLATED |
| 6    | BODY          | BRASS    | 1    | NICKEL PLATED |
| 5    | CONTACT PIN   | BRASS    | 1    | GOLD PLATED   |
| 4    | RETAINER RING | Be,Cu    | 1    | NONE          |
| 3    | GASKET        | SILICON  | 1    | RED           |
| 2    | INSULATOR     | TEFLON   | 1    | WHITE         |
| 1    | NUT           | BRASS    | 1    | NICKEL PLATED |
| ITEM | DESCRIPTION   | MATERIAL | Q'TY | FINISHED      |

NOTES:FINISH (PLATING THICKNESS IN MICRO-INCHES)  
 1.GOLD PL.3 MIN THICK OVER NICKEL PL.100 MIN.  
 THICK OVER COPPER STRIKE

|                             |                                |         |     |   |               |              |
|-----------------------------|--------------------------------|---------|-----|---|---------------|--------------|
| <b>weltron</b> <sup>®</sup> |                                |         |     | TITLE<br>SMA PLUG TO BNC PLUG   |               |              |
| PART NO.                    | <b>44-927</b>                  | UNITS   | MM  | UNLESS OTHERWISE SPECIFIED<br>TOLERANCES:<br>0.5-15 = ±0.15    ANGLES<br>15-30 = ±0.30    ±5°<br>30-120 = ±0.50<br>>120 = ±1.00 | DESIGNED      | <i>Bzw</i>   |
| MODEL NO.                   |                                | SCALE   | FIT |   | DRAWING       | <i>Bzw</i>   |
|                             |                                | EDITION | A1  | PUBLISH DATE  | CHECKED       | <i>David</i> |
| CAD FILE                    | Yin sheng/Yifaxing/SMA/SSA1120 |         |     | 2012/12/08  | APPROVED      | <i>Andy</i>  |
|                             |                                |         |     |   | ☐ ⊕ 3RD ANGLE |              |