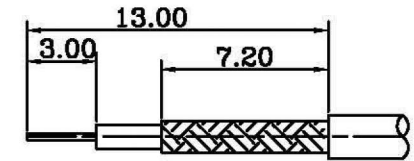
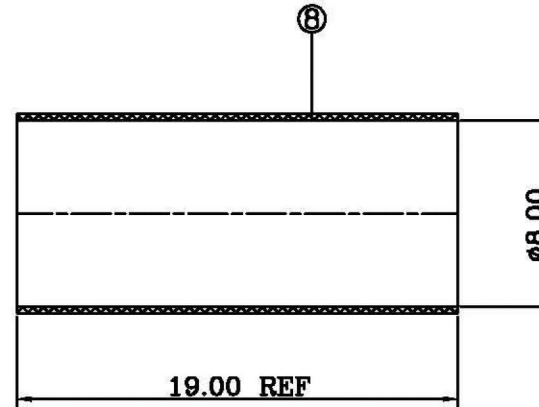
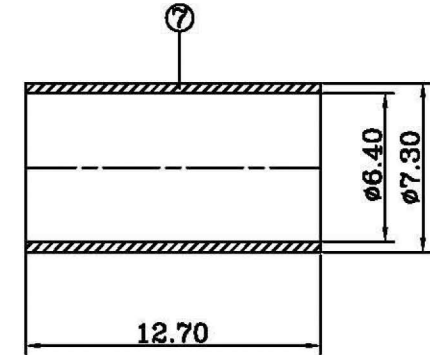
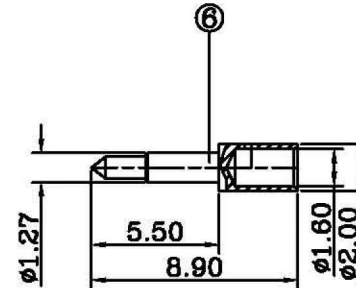
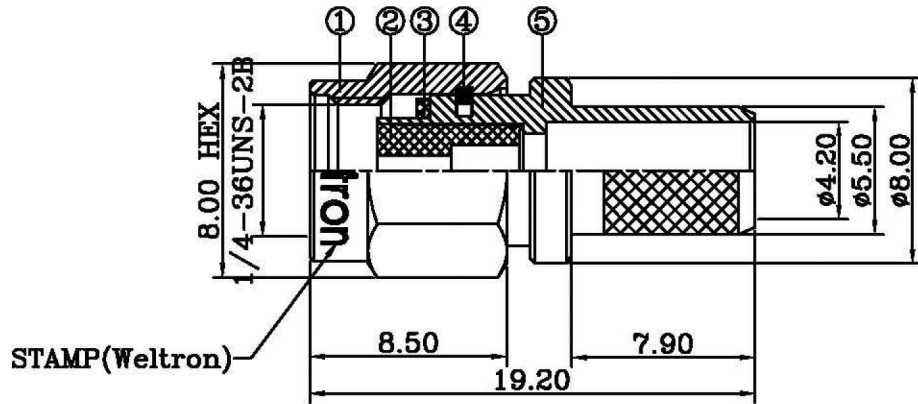


ROHS Compliant

REVISIONS

RevNo	Description	Date	Revision	Mender
1	SUBSTITUTION CONTACT PIN	2013-1-8	A2	Bzw
2				



RECOMMENDED  
CABLE STRIPPING DIM'S

- 1. CRIMPED FERRULE HEX CRIMP SIZE .255"
- 2. CONTACT PIN TO SOLDER

NOTES: FINISH (PLATING THICKNESS IN MICRO-INCHES)  
GOLD PL. 3 MICROINCH MINIMUM

ITEM	DESCRIPTION	MATERIAL	Q'TY	FINISHED
8	HEAT SHRINK TUBE		1	BLACK
7	FERRULE	BRASS	1	GOLD PLATED
6	CONTACT PIN	BRASS	1	GOLD PLATED
5	BODY	BRASS	1	GOLD PLATED
4	RETAINER RING	Be,Cu	1	NATURAL
3	GASKET	SILICON	1	RED
2	INSULATOR	TEFLON	1	WHITE
1	NUT	BRASS	1	GOLD PLATED

<h1>weltron®</h1>				TITLE SMA PLUG CRIMP FOR RG8X CABLE,50 OHM			
PART NO.	44-900-8X	UNITS	MM	UNLESS OTHERWISE SPECIFIED TOLERANCES:	DESIGNED	Bzw	
		SCALE	FIT		DRAWING	Bzw	
MODEL NO.				0.5-15 = ±0.15 15-30 = ±0.30 30-120 = ±0.60 >120 = ±1.00	ANGLES ±5°	CHECKED	David
		EDITION	A1	PUBLISH DATE	APPROVED	Andy	
				2012/12/11	☐ ⊕ 3RD ANGLE		