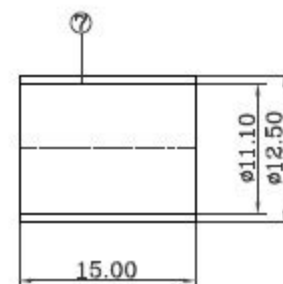
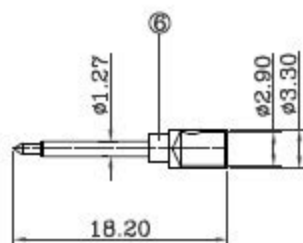
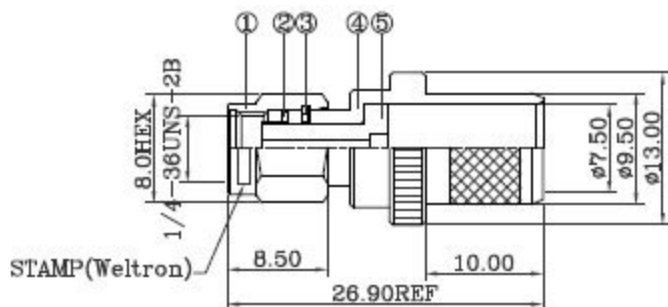


ROHS Compliant

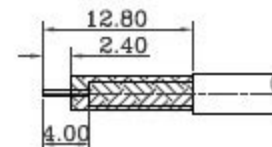
REVISIONS				
RevNo	Description	Date	Revision	Mender
1				
2				



1. CRIMPED FERRULE HEX CRIMP SIZE .429"
2. CRIMPED CONTACT PIN HEX CRIMP SIZE .100" OR TO SOLDER

NOTES: FINISH (PLATING THICKNESS IN MICRO-INCHES)

1. BRASS PER QQ-B-626
2. GOLD PL. 3 MIN THICK OVER NICKEL PL. 100 MIN. THICK OVER COPPER STRIKE
3. TEFLON MIL-P-19468
4. BERYLLIUM COPPER PER QQ-C-530
5. JIS H 3250, C 2700



RECOMMENDED
CABLE STRIPPING DIM'S

7	FERRULE	NOTE 5	1	NOTE 2
6	CONTACT PIN	NOTE 1	1	NOTE 2
5	INSULATOR	NOTE 3	1	NATURAL
4	BODY	NOTE 1	1	NOTE 2
3	RETAINER RING	NOTE 4	1	NATURAL
2	GASKET	SILICON	1	RED
1	SHELL	NOTE 1	1	NOTE 2
ITEM	DESCRIPTION	MATERIAL	Q'TY	FINISHED

<h1>Weltron®</h1>				TITLE			
				SMA PLUG CRIMP, 50 OHM FOR LMR400, BELDEN 9913, RG8U, RG213U			
PART NO.	44-900-LMR400	UNITS	MM	UNLESS OTHERWISE SPECIFIED TOLERANCES:	DESIGNED	<i>Xwj</i>	
		SCALE	FT			ANGLES ±5°	DRAWING
MODEL NO.				0.5-15 = ±0.15 15-30 = ±0.30 30-120 = ±0.60 >120 = ±1.00	CHECKED	<i>David</i>	
		EDITION	A1	PUBLISH DATE	APPROVED	<i>Andy</i>	
				2010/01/03	☐ ⊕ 3RD ANGLE		