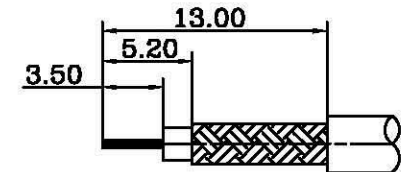
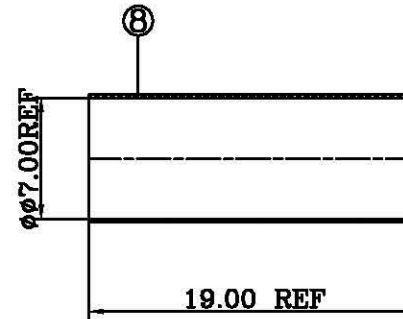
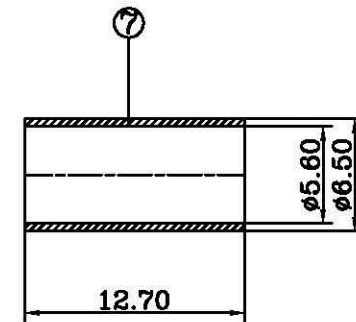
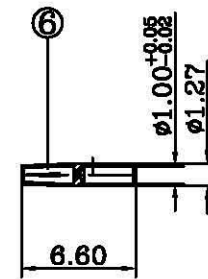
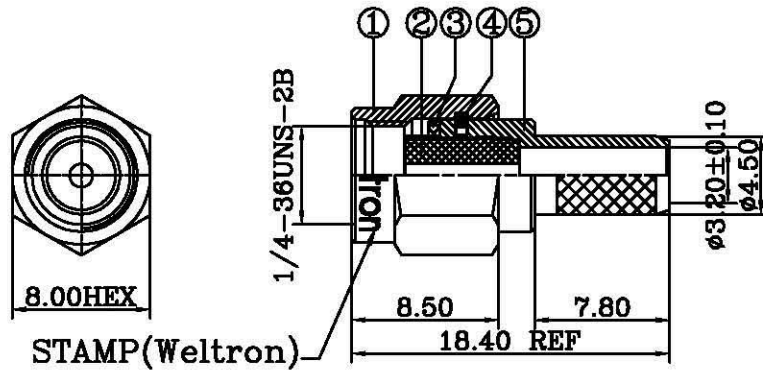


ROHS Compliant

REVISIONS

RevNo	Description	Date	Revision	Mender
1				
2				



- 1. CRIMPED FERRULE HEX CRIMP SIZE .213"
- 2. CONTACT PIN TO SOLDER

NOTES: FINISH (PLATING THICKNESS IN MICRO-INCHES)  
GOLD PL. 3 MICROINCH MINIMUM

RECOMMENDED  
CABLE STRIPPING DIM'S

8	SUMMER TUBE	--	1	BLACK
7	FERRULE	BRASS	1	GOLD PLATED
6	CONTACT PIN	Be.copper	1	GOLD PLATED
5	BODY	BRASS	1	GOLD PLATED
4	RETAINER RING	Be.copper	1	NATURAL
3	GASKET	SILICON	1	RED
2	INSULATOR	TEFLON	1	NATURAL
1	SHELL	BRASS	1	GOLD PLATED
ITEM	DESCRIPTION	MATERIAL	Q'TY	FINISHED

				TITLE RP SMA PLUG CRIMP FOR RG223U, RG58U ,RG58A/U,LMR195 CABLE 50ohm			
PART NO.	44-900RP-223	UNITS	MM	UNLESS OTHERWISE SPECIFIED TOLERANCES:	DESIGNED	Bzw	
		SCALE	FIT		DRAWING	Bzw	
MODEL NO.				0.5-15 = ±0.15    ANGLES 15-30 = ±0.30    ±5° 30-120 = ±0.80 >120 = ±1.00	CHECKED	David	
		EDITION	A1	PUBLISH DATE	APPROVED	Andy	
				2012/12/06	3RD ANGLE		