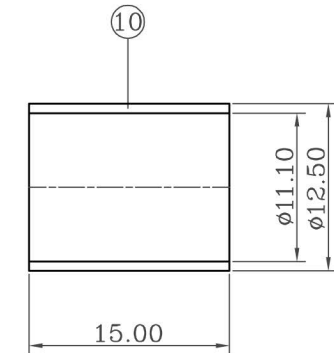
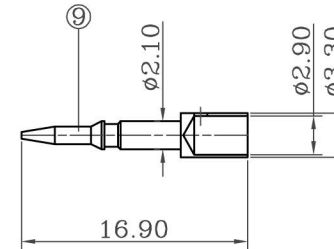
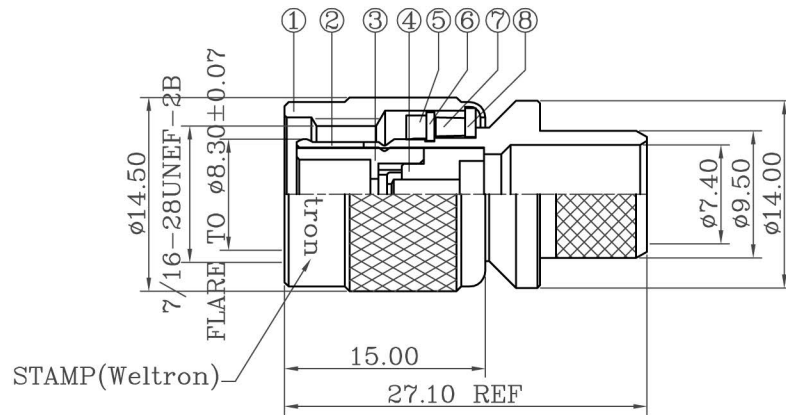


ROHS Compliant

REVISIONS

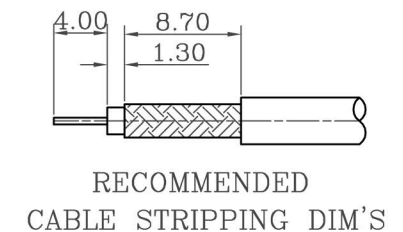
RevNo	Description	Date	Revision	Mender
1				
2				



NOTES:FINISH (PLATING THICKNESS IN MICRO-INCHES)

- 1.BRASS PER QQ-B-626
- 2.NICKEL PL.100 MIN. THICK OVER COPPER STRIKE
- 3.GOLD PL.3 MIN THICK OVER NICKEL PL.100 MIN. THICK OVER COPPER STRIKE
- 4.JIS H 3250,C 2700

- 1.CRIMPED FERRULE
HEX CRIMP SIZE .429"
- 2.CRIMPED CONTACT PIN
HEX CRIMP SIZE .100"
OR TO SOLDER



ITEM	DESCRIPTION	MATERIAL	Q'TY	FINISHED
10	FERRULE	NOTE 4	1	NOTE 2
9	CONTACT PIN	NOTE 1	1	NOTE 3
8	WASHER	IRON	1	NOTE 2
7	GASKET	POM	1	NATURAL
6	RETAINER RING	65Mn	1	NOTE 2
5	GASKET	RUBBER	1	RED
4	INSULATOR	POM	1	NATURAL
3	INSULATOR	POM	1	NATURAL
2	BODY	NOTE 1	1	NOTE 2
1	SHELL	NOTE 1	1	NOTE 2

Weltron®				TITLE TNC CRIMP PLUG 50 OHMS FOR LMR400,BELDEN9913 CABLE	
PART NO.	44-270-LMR400	UNITS	MM	UNLESS OTHERWISE SPECIFIED TOLERANCES: 0.5-15 = ±0.15 ANGLES ±5° 15-30 = ±0.30 30-120 = ±0.60 >120 = ±1.00	DESIGNED
		SCALE	FIT		DRAWING
MODEL NO.					CHECKED
DRAWING NO.		EDITION		PUBLISH DATE	APPROVED
CAD FILE				2011/03/19	3RD ANGLE