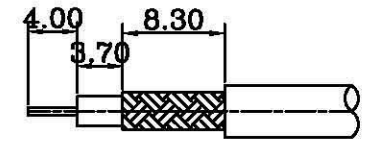
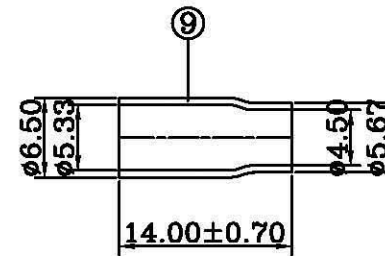
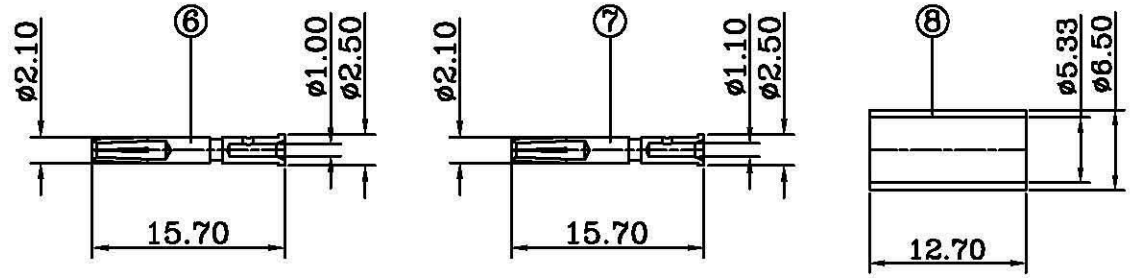
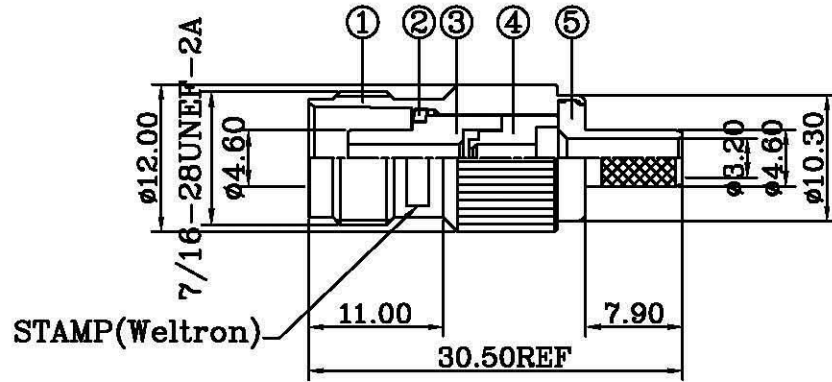


ROHS Compliant

REVISIONS

RevNo	Description	Date	Revision	Mender
1				
2				



NOTES:FINISH (PLATING THICKNESS IN MICRO-INCHES)

- 1.BRASS PER QQ-B-626
- 2.NICKEL PL.100 MIN. THICK OVER COPPER STRIKE
- 3.GOLD PL.3 MIN THICK OVER NICKEL PL.100 MIN. THICK OVER COPPER STRIKE
- 4.JIS H 3250,C 2700

- 1.CRIMPED FERRULE
HEX CRIMP SIZE .213"
- 2.CRIMPED CONTACT PIN
HEX CRIMP SIZE .068"
OR TO SOLDER

RECOMMENDED
CABLE STRIPPING DIM'S

ITEM	DESCRIPTION	MATERIAL	Q'TY	FINISHED
9	FERRULE	NOTE 4	1	NOTE 2
8	FERRULE	NOTE 4	1	NOTE 2
7	CONTACT PIN	NOTE 1	1	NOTE 3
6	CONTACT PIN	NOTE 1	1	NOTE 3
5	REAR BODY	NOTE 1	1	NOTE 2
4	INSULATOR	TEFLON	1	WHITE
3	INSULATOR	TEFLON	1	WHITE
2	WASHER	IRON	1	NOTE 2
1	BODY	NOTE 1	1	NOTE 2

<h1>Weltron®</h1>				TITLE TNC CRIMP JACK 50 OHMS (FOR RG58, RG58A, RG141, LMR195, RG58U-PLENUM CABLE)					
				PART NO. 44-273-58		UNITS	MM	UNLESS OTHERWISE SPECIFIED TOLERANCES:	
MODEL NO.		SCALE	FIT	0.5-15 = ±0.15 15-30 = ±0.30 30-120 = ±0.80 >120 = ±1.00		ANGLES	±5°	DRAWING	NQ
DRAWING NO.		EDITION	A1	PUBLISH DATE		APPROVED		Andy	
				2012/12/15		3RD ANGLE			