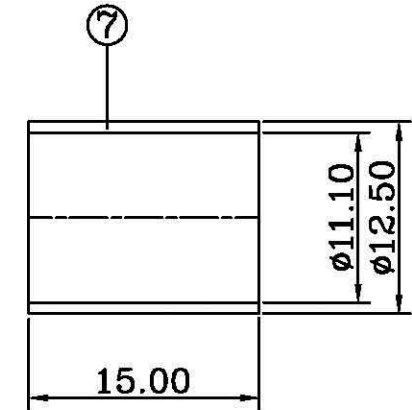
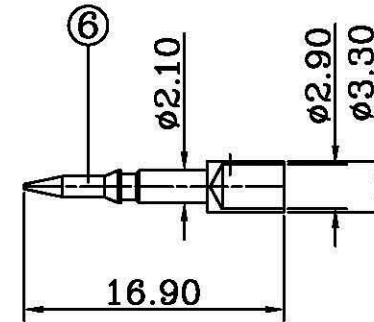
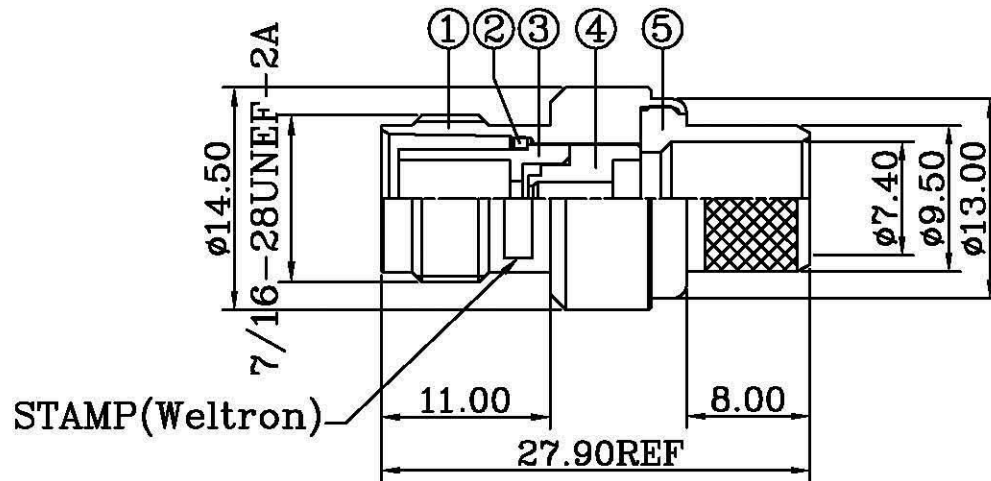


ROHS Compliant

REVISIONS

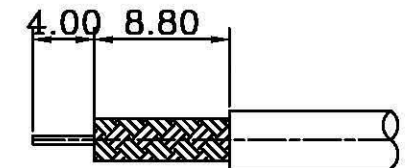
RevNo	Description	Date	Revision	Mender
1				
2				



NOTES: FINISH (PLATING THICKNESS IN MICRO-INCHES)

1. BRASS PER QQ-B-626
2. NICKEL PL. 100 MIN. THICK OVER COPPER STRIKE
3. GOLD PL. 3 MIN THICK OVER NICKEL PL. 100 MIN. THICK OVER COPPER STRIKE
4. JIS H 3250, C 2700

1. CRIMPED FERRULE
HEX CRIMP SIZE .429"
2. CRIMPED CONTACT PIN
HEX CRIMP SIZE .100"
OR TO SOLDER



RECOMMENDED
CABLE STRIPPING DIM'S

ITEM	DESCRIPTION	MATERIAL	Q'TY	FINISHED
7	FERRULE	NOTE 4	1	NOTE 2
6	CONTACT PIN	NOTE 1	1	NOTE 3
5	REAR BODY	NOTE 1	1	NOTE 2
4	INSULATOR	TEFLON	1	NATURAL
3	INSULATOR	TEFLON	1	NATURAL
2	WASHER	NOTE 1	1	NOTE 2
1	BODY	NOTE 1	1	NOTE 2

weltron [®]				TITLE RP TNC CRIMP JACK 50 OHMS (FOR RG8U, BEL9913, LMR400 CABLE)		
PART NO.	44-273RP-LMR400	UNITS	MM	UNLESS OTHERWISE SPECIFIED TOLERANCES: 0.5-15 = ±0.15 15-30 = ±0.30 30-120 = ±0.60 >120 = ±1.00	DESIGNED	NQ
MODEL NO.		SCALE	FIT		ANGLES ±5°	DRAWING
DRAWING NO.		EDITION	A1	PUBLISH DATE	CHECKED	David
				2012/12/15	APPROVED	Andy
					3RD ANGLE	