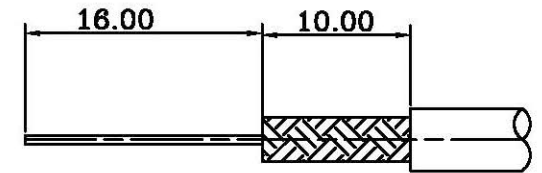
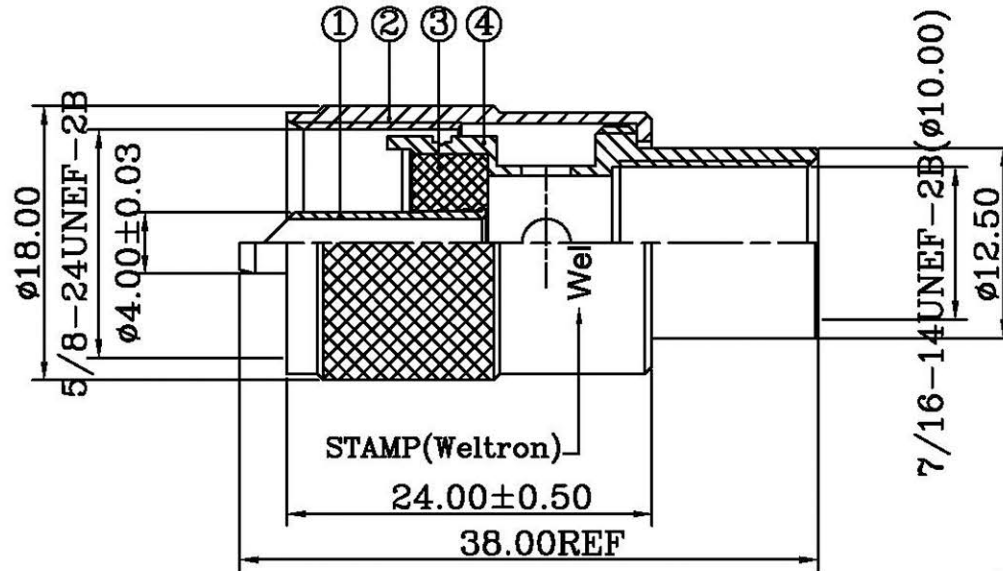


ROHS Compliant

REVISIONS

RevNo	Description	Date	Revision	Mender
1				
2				



RECOMMENDED  
CABLE STRIPPING DIM'S

NOTES: FINISH (PLATING THICKNESS IN MICRO-INCHES)

1. BRASS PER QQ-B-626
2. NICKEL PL.100 MIN. THICK OVER COPPER STRIKE
3. GOLD PL.3 MIN THICK OVER NICKEL PL.100 MIN. THICK OVER COPPER STRIKE
4. TEFLON MIL-P-19468

4	BODY	NOTE1	1	NOTE2
3	INSULATOR	NOTE4	1	WHITE
2	SHELL	NOTE1	1	NOTE2
1	CONTACT PIN	NOTE1	1	NOTE2/NOTE3
ITEM	DESCRIPTION	MATERIAL	Q'TY	FINISHED

				TITLE UHF MALE CONNECTOR FOR RG213U, RG8U, RG11U, RG214U CABLE		
PART NO.	44-304	UNITS	MM	UNLESS OTHERWISE SPECIFIED TOLERANCES: 0.5-15 = ±0.15    ANGLES ±5° 15-30 = ±0.30 30-120 = ±0.50 >120 = ±1.00	DESIGNED	Ckq
		SCALE	FIT		DRAWING	Ckq
MODEL NO.		EDITION	A1	PUBLISH DATE	APPROVED	Andy
CAD FILE	Yin sheng/Yifaxing/SU/SU801			2011/09/16	3RD ANGLE	