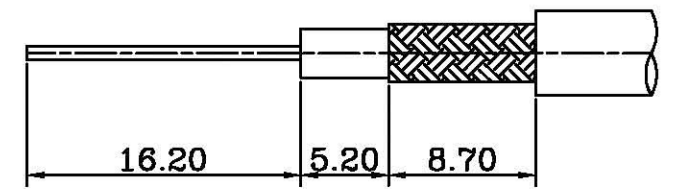
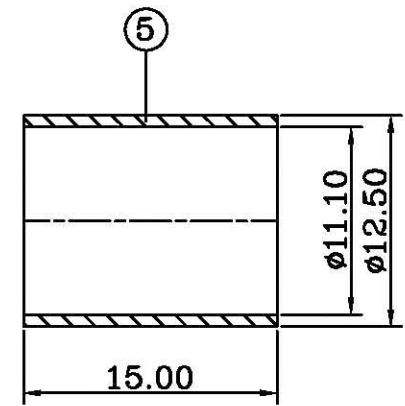
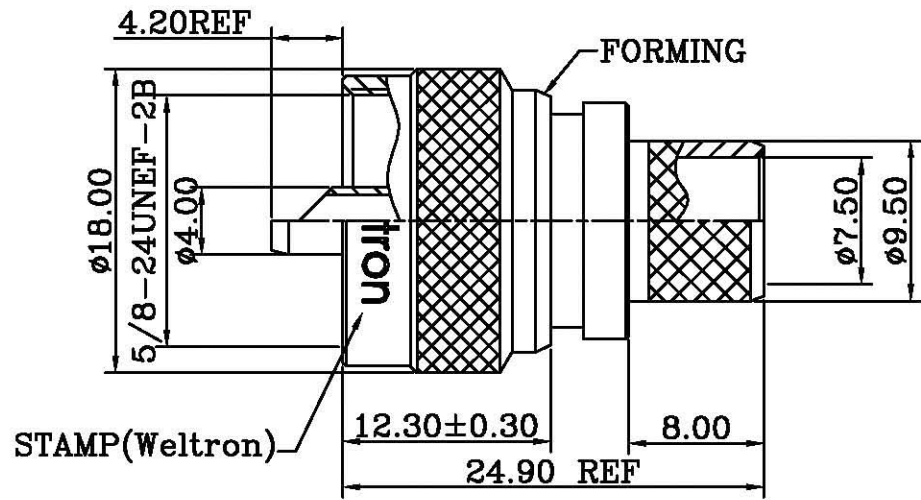


ROHS Compliant

REVISIONS				
RevNo	Description	Date	Revision	Mender
1				
2				



- 1. CRIMPED FERRULE  
HEX CRIMP SIZE .429"
- 2. CONTACT PIN TO SOLDER

RECOMMENDED  
CABLE STRIPPING DIM'S

- NOTES: FINISH (PLATING THICKNESS IN MICRO-INCHES)
1. BRASS PER QQ-B-626
  2. NICKEL PL. 80 MIN. THICK OVER COPPER STRIKE
  3. GOLD PL 3 MIN OVER NICKEL PL 70 MIN THICK OVER COPPER STRIKE
  4. TEFLON MIL-P-19468
  5. JIS H 3250, C 2700

5	FERRULE	NOTE 5	1	NOTE 2
4	BODY	NOTE 1	1	NOTE 2
3	INSULATOR	NOTE 4	1	NATURAL
2	SHELL	NOTE 1	1	NOTE 2
1	CONTACT PIN	NOTE 1	1	NOTE 3
ITEM	DESCRIPTION	MATERIAL	Q'TY	FINISHED

<h1>Weltron®</h1>				TITLE UHF MALE CRIMP, 50 OHM (FOR RG8U, RG213U CABLE)		
PART NO.	44-304C-8	UNITS	MM	UNLESS OTHERWISE SPECIFIED TOLERANCES: 0.5-15 = ±0.15    ANGLES ±5° 16-30 = ±0.30 30-120 = ±0.60 >120 = ±1.00	DESIGNED	LMY
MODEL NO.		SCALE	FIT		DRAWING	LMY
DRAWING NO.		EDITION	A1	PUBLISH DATE	APPROVED	Andy
CAD FILE	Yin sheng/Yifaxing/SU/SU604			2014/03/12	3RD ANGLE	