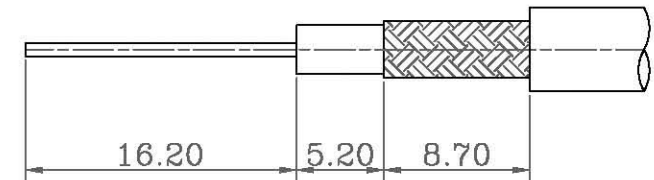
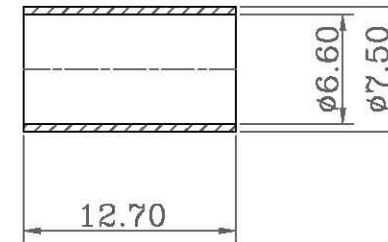
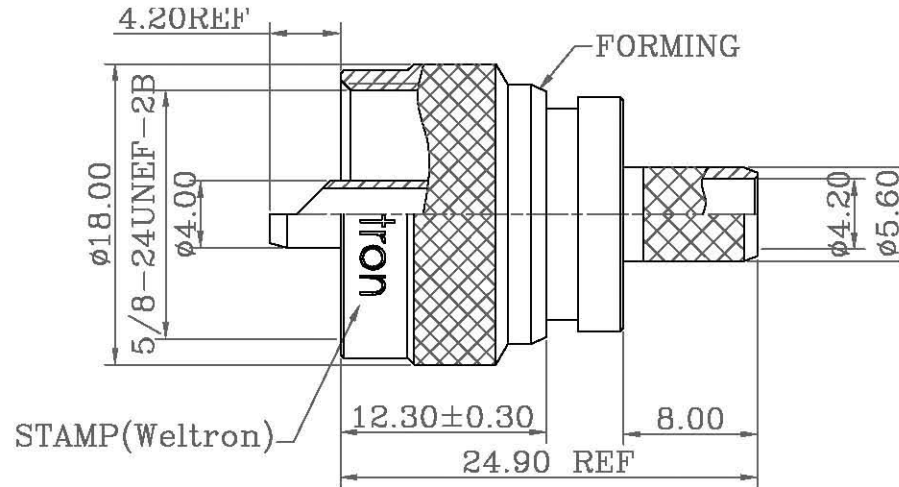


ROHS Compliant

REVISIONS

RevNo	Description	Date	Revision	Mender
1				
2				



NOTES: FINISH (PLATING THICKNESS IN MICRO-INCHES)

1. BRASS PER QQ-B-626
2. NICKEL PL. 80 MIN. THICK OVER COPPER STRIKE
3. GOLD PL 3 MIN OVER NICKEL PL 70 MIN THICK OVER COPPER STRIKE
4. TEFLON MIL-P-19468
5. JIS H 3250, C 2700

1. CRIMPED FERRULE
HEX CRIMP SIZE .256"
2. CONTACT PIN TO SOLDER

RECOMMENDED
CABLE STRIPPING DIM'S

5	FERRULE	NOTE 5	1	NOTE 2
4	BODY	NOTE 1	1	NOTE 2
3	INSULATOR	NOTE 4	1	NATURAL
2	SHELL	NOTE 1	1	NOTE 2
1	CONTACT PIN	NOTE 1	1	NOTE 3
ITEM	DESCRIPTION	MATERIAL	Q'TY	FINISHED

				TITLE		
PART NO.		44-304C-8X		UHF MALE CRIMP, 50 OHM (FOR RG8X, LMR240 CABLE)		
MODEL NO.		UNITS	MM	UNLESS OTHERWISE SPECIFIED TOLERANCES:	DESIGNED	CJ
DRAWING NO.		SCALE	FIT		0.5-15 = ± 0.15	DRAWING
CAD FILE		Yin sheng/Yifaxing/SU/SU604		15-30 = ± 0.30	CHECKED	David
		EDITION	A1	30-120 = ± 0.80	APPROVED	Andy
				>120 = ± 1.00	PUBLISH DATE	
				ANGLES $\pm 5^\circ$	2015/03/09	
					3RD ANGLE	