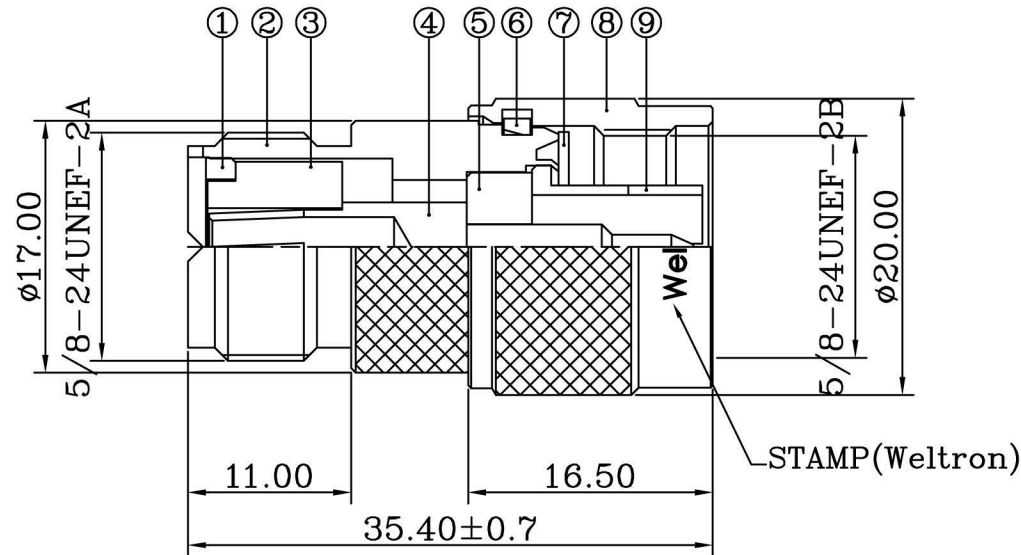


ROHS Compliant

REVISIONS				
RevNo	Description	Date	Revision	Mender
1				
2				



NOTES:FINISH (PLATING THICKNESS IN MICRO-INCHES)

1.BRASS PER QQ-B-626

2.TEFLON MIL-P-19468

3.NICKEL PL.100 MIN. THICK OVER COPPER STRIKE

4.GOLD PL.3 MIN THICK OVER NICKEL PL.100 MIN.
THICK OVER COPPER STRIKE

9	CONTACT BODY	NOTE1	1	NOTE3
8	SHELL	NOTE1	1	NOTE3
7	GASKET	RUBBER	1	RED
6	RETAINER RING	NOTE1	1	NATURAL
5	INSULATOR	NOTE2	1	NATURAL
4	CONTACT PIN	NOTE1	1	NOTE4
3	INSULATOR	NOTE2	1	NATURAL
2	BODY	NOTE1	1	NOTE3
1	WASHER	NOTE1	1	NOTE3
ITEM	DESCRIPTION	MATERIAL	Q'TY	FINISHED

weltron ®				TITLE UHF FEMALE TO N MALE		
PART NO.	44-175	UNITS	MM	UNLESS OTHERWISE SPECIFIED TOLERANCES: 0.5-15 = ±0.15 ANGLES ±5° 15-30 = ±0.30 30-120 = ±0.60 >120 = ±1.00	DESIGNED	Ckq
		SCALE	FIT		DRAWING	Ckq
MODEL NO.		EDITION	A1	PUBLISH DATE	APPROVED	Andy
				2012/12/07	☐ ⊕ 3RD ANGLE	